

JIBBI

YR®

iapa
International
Awards for
Powered
Access
2019
Product of the year

1250 EVO



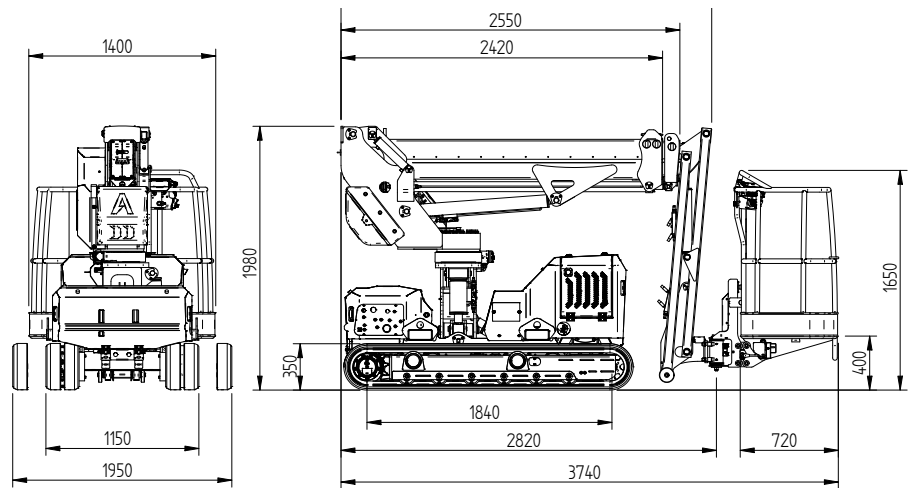
CRAWLER TELESCOPIC BOOM

ALMACRAWLER

JIBBI 1250 EVO

JIBBI è la nuova piattaforma aerea semovente telescopica cingolata di AlmaCrawler.

JIBBI is the new crawler telescopic boom by AlmaCrawler.



Brevetti in approvazione

Nuovo Dynamic Work Performance (DWP by Almac)

Sottocarro integrato con nuovo Safe-lock System

Patent pending innovations

New Dynamic Work Performance (DWP by Almac)

Undercarriage integrated by new Safe-lock System



Console via cavo by AUTECH
Cable remote console by AUTECH



Livellamento contemporaneo su due assi
Mixed slope levelling

Caratteristiche Features

Motore Diesel Yanmar, 3 cilindri (14,1kW - 19,2 HP)

Rotazione ralla 240°

Rotazione navicella +/- 70°

Integrated Drive System (guida a singolo joystick)

Yanmar Diesel Engine, 3 Cylinders (14,1kW - 19,2 HP)

240° Slewing ring rotation

Basket rotation kit +/- 70°

Integrated Drive System (using single joystick)

Sistema anticollisione bidirezionale ad ultrasuoni

Ultrasonic Anti-collision System

Automatic & Dynamic Levelling Pro-Active Levelling



Dati tecnici

JIBBI 1250 EVO

Technical data

Altezza massima di lavoro	12,2 m	Max working height
Altezza piano calpestio	10,2 m	Max height basket floor
Altezza di traslazione	8,0 m	Moving height
Sbraccio massimo (carico 80 Kg)	7,0 m	Max outreach (load 80 kg)
Sbraccio massimo (carico 230 Kg)	5,4 m	Max outreach (load 230 kg)
Angolo di rotazione torretta	+/- 110°	Rotation angle
Dimensioni navicella	1,4 x 0,7 m	Basket size
Angolo di rotazione navicella	+/- 70°	Basket rotation angle
Portata massima in navicella	230 kg	Max basket capacity
Lunghezza richiusa (navicella smontata)	3,7 (3,0) m	Length in stowed position (with detached basket)
Larghezza minima richiusa	1,15 m	Min width in stowed position
Larghezza massima di lavoro	1,95 m	Max working width
Altezza minima richiusa	1,98 m	Min height in stowed position
Livellamento longitudinale	+/- 15°	Longitudinal leveling
Livellamento laterale	+/- 15°	Lateral leveling
Pendenza massima superabile	25°	Max gradeability
Pendenza laterale massima	25°	Max side gradeability
Velocità traslazione (veloce)	2,5 km/h	Drive speed (fast)
Velocità sicurezza	0,3 km/h	Security speed

Pesi

Weights

Carico al suolo	3,86 kN/m ²	Traffic load
Peso totale	2850 kg	Total weight

Potenza

Power

Motore Yanmar 3TNM68-AS diesel	14 kW - 19,2 Hp	3TNM68 -AS Yanmar engine (diesel)
--------------------------------	-----------------	-----------------------------------

Allestimenti a richiesta

Extras - On Demand

Cingolo antiraccia	-	Non-marking tracks
Elettro pompa 220V-2,2Kw / 50Hz (Peso +30 Kg)	-	Electric pump 220V-2,2KW / 50Hz (Weight +30 Kg)
Kit Radiocomando	-	Radio remote control
Kit lubrificante per clima artico	-	Arctic lubricant for cold climate
Kit verricello 200 kg	-	Winch kit 200 kg



Dimensioni compatte

Compact dimensions

Navicella removibile

Removable basket

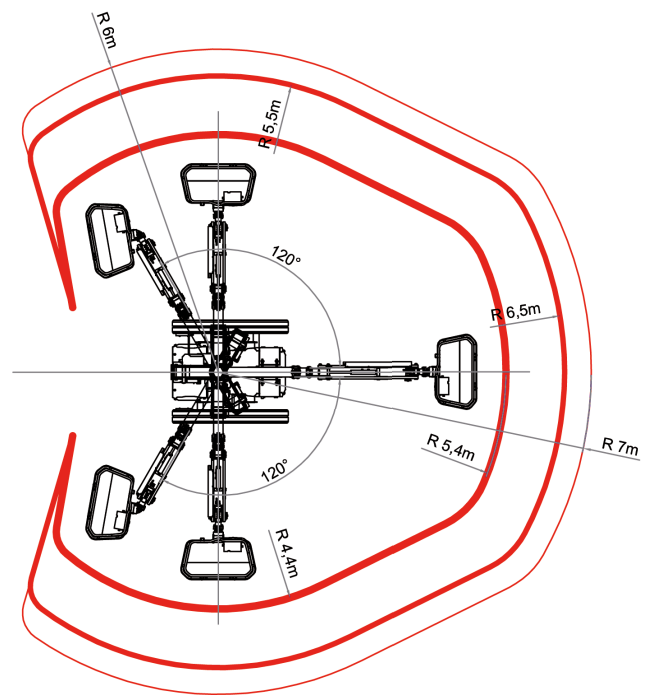
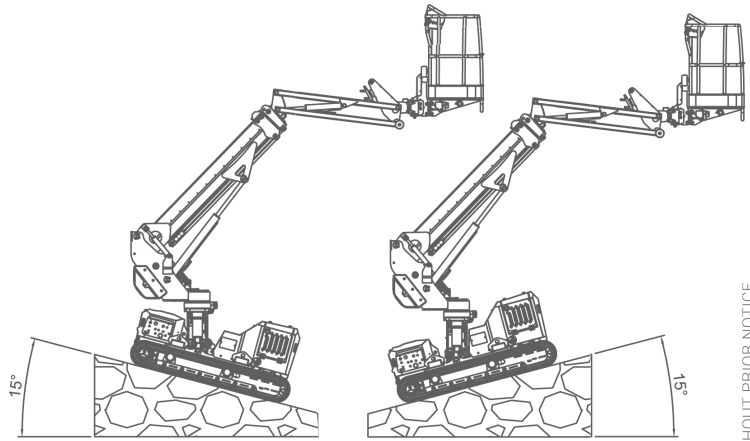
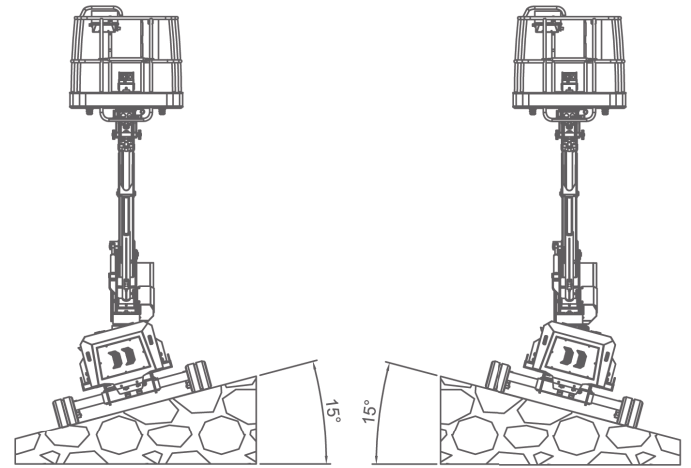
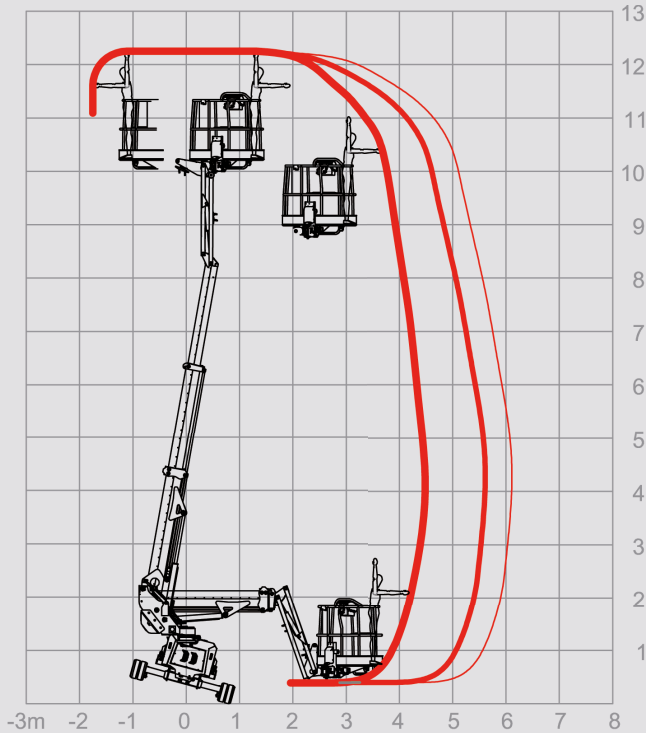
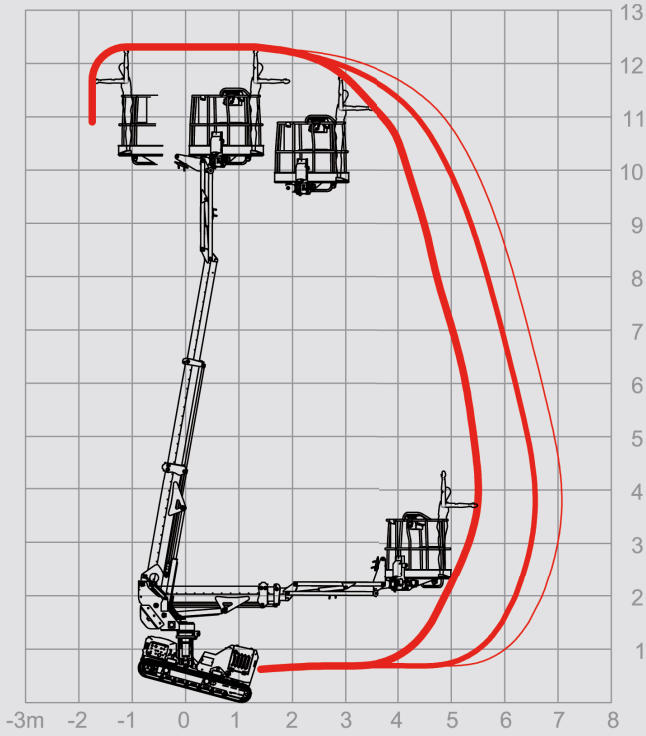


ALMACRAWLER

JIBBI 1250 EVO

12.2m	230kg	19.2Hp	$\pm 15^\circ$	2.5 km/h	$\pm 15^\circ$
MAX. W.H.	CAPACITY	POWER	LONG. LEVEL.	SPEED	LATER. LEVEL.

- 80 kg
- 120 kg
- 230 kg



THIS CATALOGUE ARE NOT BINDING. ALMAC SRL RESERVES THE RIGHT TO CHANGE SPECIFICATIONS WITHOUT PRIOR NOTICE.

Auckland Head Office
6-10 Parkway Drive,
Mairangi Bay, Auckland
Phone: (+64) 09 443 2436
Email: sales@yrco.co.nz

Auckland, Mt Wellington
20L Sylvia Park Road,
Mt Wellington, Auckland
Phone: (+64) 09 553 5470
Email: salesmtwell@yrco.co.nz

Wellington
8 Broken Hill Road,
Porirua, Wellington
Phone: (+64) 04 212 2456
Email: saleswell@yrco.co.nz

Christchurch
20 Nga Mahi Road,
Sockburn, Christchurch
Phone: (+64) 03 341 6923
Email: saleschch@yrco.co.nz

**YR Youngman
Richardson**