

Specifications

Models	SX-150	
Measurements	Metric	US
Working height maximum*	48.33 m	158 ft
Platform height maximum	46.33 m	152 ft
Horizontal reach maximum	24.38 m	80 ft
Below ground reach	0.61 m	2 ft
▲ Platform length	0.91 m	3 ft
▲ Platform width	2.44 m	8 ft
▲ Height - stowed	3.05 m	10 ft
▲ Length - stowed	16.18 m	53 ft 1 in
Length - transport (jib tucked under)	13.00 m	42 ft 8 in
▲ Width - axles retracted	2.49 m	8 ft 2 in
Width - axles extended	5.03 m	16 ft 6 in
▲ Wheelbase - axles retracted	5.03 m	16 ft 6 in
Wheelbase - axles extended	4.72 m	15 ft 6 in
▲ Ground clearance - center	0.38 m	1 ft 3 in
Productivity		
Lift capacity	340 kg	750 lb
Platform rotation		160°
Vertical jib rotation		135°
Horizontal jib rotation		60°
Turntable rotation	360° continuous	
Turntable tailswing - axle retracted	1.14 m	3 ft 9 in
Turntable tailswing - axle extended	1.07 m	3 ft 6 in
Drive speed - stowed	3.7 km/h	2.3 mph
Drive Speed - out of stowed		
below 125 ft (38.1 m)	0.65 km/h	0.4 mph
above 125 ft (38.1 m)	0.16 km/h	0.1 mph
Gradeability - stowed	35%	
Turning radius - axle retracted: inside	6.27 m	20 ft 7 in
outside	8.56 m	28 ft 1 in
Turning radius - axle extended: inside	3.02 m	9 ft 11 in
outside	7.34 m	24 ft 1 in
Controls	12 V DC proportional	
Tyres	445D50/710HD	

Power

Power source	TD2011L04i, 74 hp (55 kW)	
Auxiliary power unit	12 V DC	
Hydraulic tank capacity	416 L	110 gal
Fuel tank capacity	189 L	50 gal

Weight***	22,613 kg	49,853 lbs
-----------	-----------	------------

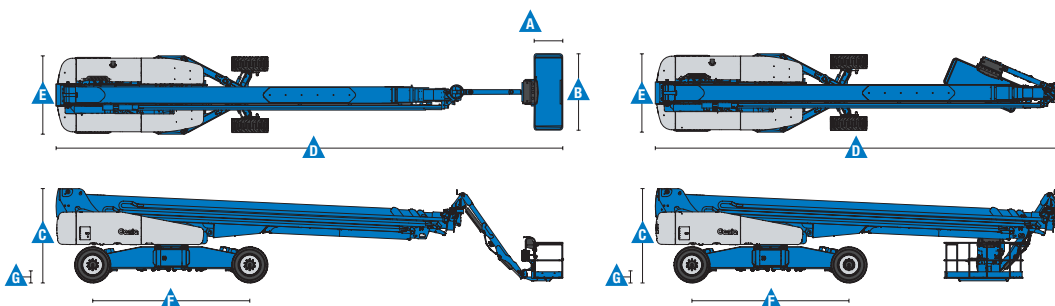
Standards Compliance

AS 1418.10

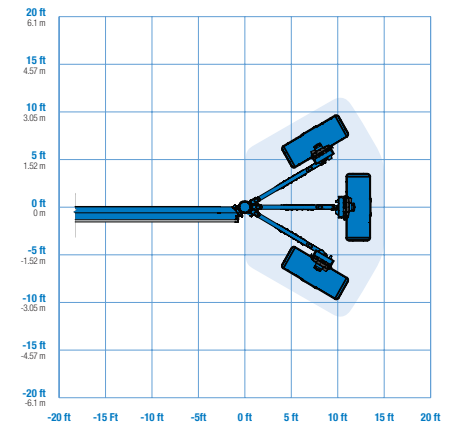
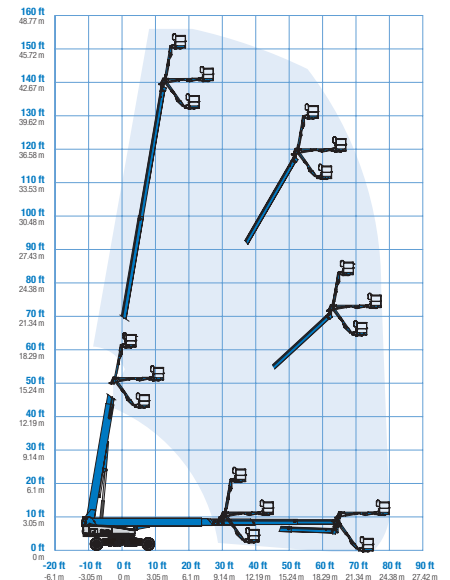
* The metric equivalent of working height adds 2 m to platform height. U.S. adds 6 ft to platform height.

** Gradeability applies to driving on slopes. See operator's manual for details regarding slope ratings.

*** Weight will vary depending on options and/or country standards.



Range Of Motion SX-150



Features

Standard Features

Measurements

- 48.33 m (158 ft) working height
- 24.38 m (80 ft) horizontal reach
- 340 kg (750 lb) lift capacity

Productivity

- Xchassis™ extendable axles
- 3.05 m (10 ft) 60° rotating jib
- Self-leveling platform
- 160° hydraulic platform rotation
- Proportional joystick controls
- Hydraulic oil cooler
- Drive enable
- AC power in the platform
- Horn
- Hour meter
- Tilt alarm
- Descent alarm
- 360° continuous turntable rotation
- Positive traction 4WD
- Two speed wheel motors
- Four wheel high angle steer
- Four steering modes: front, rear, crab and coordinated
- On board full diagnostics and engine monitoring display
- Dual flashing beacons
- Thumb rocker steer
- Entry toe boards
- Lockable platform control box cover
- Anemometer
- Telematics ready connector

Power

- 7.5 kW generator - 240V/50 Hz
- 12 V DC auxiliary power
- Auto engine fault protection
- Swing out engine tray

Engine Options

- Deutz turbo diesel 74 hp (55 kW)

Drive/Steer

- 4WD (standard)
- 4WS (standard)

Tyres

- Rough terrain foam-filled (standard)

Options & Accessories

Productivity Options

- Half-mesh platform inserts with swing gate
- Air line to platform
- Biodegradable hydraulic oil
- Hostile environment kit
- Deluxe hostile environment kit
- Light package
- Operator Protective Structure
- Operator Protective Alarm

Power Options

- Cold weather kit
- Diesel catalytic purifier muffler
- Diesel scrubber/catalytic muffler
- Intake air pre-cleaner



Auckland Head Office
6-10 Parkway Drive,
Mairangi Bay, Auckland
Phone: (+64) 09 443 2436
Email: sales@yrco.co.nz

Auckland, Mt Wellington
20L Sylvia Park Road,
Mt Wellington, Auckland
Phone: (+64) 09 553 5470
Email: salesmtwell@yrco.co.nz

Wellington
8 Broken Hill Road,
Porirua, Wellington
Phone: (+64) 04 212 2456
Email: saleswell@yrco.co.nz

Christchurch
20 Nga Mahi Road,
Sockburn, Christchurch
Phone: (+64) 03 341 6923
Email: saleschch@yrco.co.nz

YR Youngman
Richardson