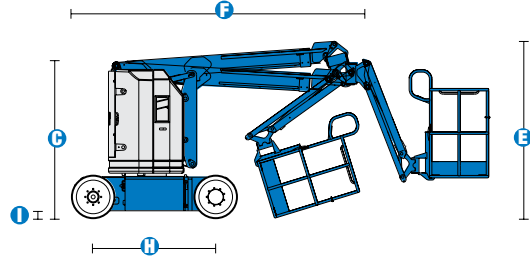
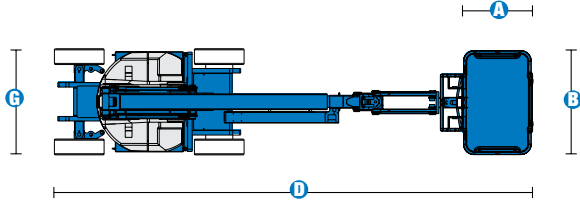


Specifications



MODEL	Z™-30/20N RJ	
MEASUREMENTS	Metric	US
Working height maximum*	10.89 m	35 ft 2 in
Platform height maximum	8.89 m	29 ft 2 in
Horizontal reach maximum	6.25 m	20 ft 6 in
Up and over clearance maximum	3.86 m	12 ft 8 in
A Platform length	0.76 m	2 ft 6 in
B Platform width	1.19 m	3 ft 11 in
C Height - stowed	2.00 m	6 ft 6.5 in
D Length - stowed	5.31 m	17 ft 5 in
E Storage height	2.24 m	7 ft 4 in
F Storage length	3.66 m	12 ft
G Width	1.19 m	3 ft 11 in
H Wheelbase	1.60 m	5 ft 3 in
I Ground clearance - centre	0.09 m	3.5 in

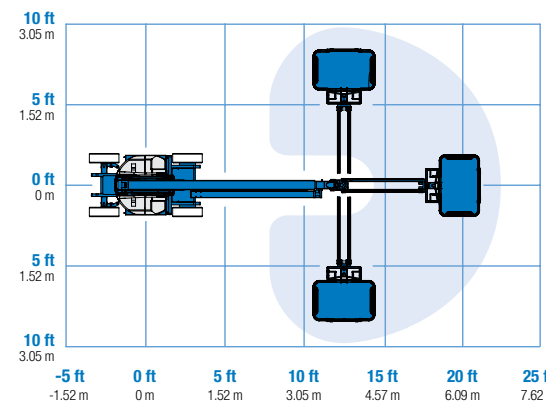
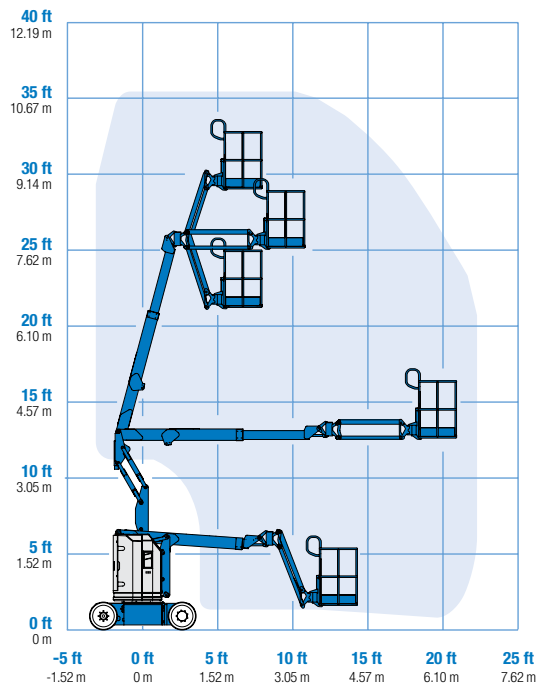
PRODUCTIVITY		
Lift capacity	227 kg	500 lbs
Platform rotation	180°	180°
Vertical jib rotation	139°	139°
Horizontal jib rotation	180°	180°
Turntable rotation	355° non-continuous	
Turntable tailswing	zero	zero
Drive speed - stowed	4.8 km/h	3.0 mph
Drive speed - raised**	1.1 km/h	0.68 mph
Gradeability - stowed***	35%	35%
Turning radius - inside	1.65 m	5 ft 5 in
Turning radius - outside	3.23 m	10 ft 7 in
Controls	24 V DC proportional	
Tyres - solid non-marking	56 x 18 x 45 cm	22 x 7 x 17.75 in

POWER		
Power source	48 V DC (eight 6 V batteries 350 Ah capacity)	
Auxiliary power unit	24 V DC	24 V DC
Hydraulic tank capacity	15.1 L	4 gal

WEIGHT****		
	6,622 kg	14,599 lbs

STANDARDS COMPLIANCE	ANSI A92.5, CSA B354.4, CE Compliance, AS 1418.10
----------------------	---

RANGE OF MOTION Z™-30/20N RJ



* The metric equivalent of working height adds 2 m to platform height. U.S. adds 6 ft to platform height.
 ** In lift mode *(platform raised), the machine is designed to operate on firm, level surfaces only.
 *** Gradeability applies to driving on slopes. See operator's manual for details regarding slope ratings.
 **** Weight will vary depending on options and/or country standards.

Features

STANDARD FEATURES

MEASUREMENTS

Z™-30/20N RJ

- 10.89 m (35 ft 2 in) working height
- 6.25 m (20 ft 6 in) horizontal reach
- 3.86 m (12 ft 8 in) up and over clearance
- Up to 227 kg (500 lbs) lift capacity

PRODUCTIVITY

- 1.22 m (4 ft) horizontal rotating jib boom 139° working range
- 1.17 m (3 ft 10 in) steel platform
- 2WD
- Solid rubber non-marking
- Self-leveling platform
- Hydraulic platform rotation
- Fully proportional controls
- Thumb rocker steer
- Drive enable
- Horn
- Hour meter
- Tilt alarm
- Alarm package
- 355° non-continuous turntable rotation
- Zero tailswing and front arm swing
- Sep-Ex drive system
- Dual flashing beacons

POWER

- 48 V DC deep cycle battery pack
- 24 V DC auxiliary power
- Universal 30A battery smart charger

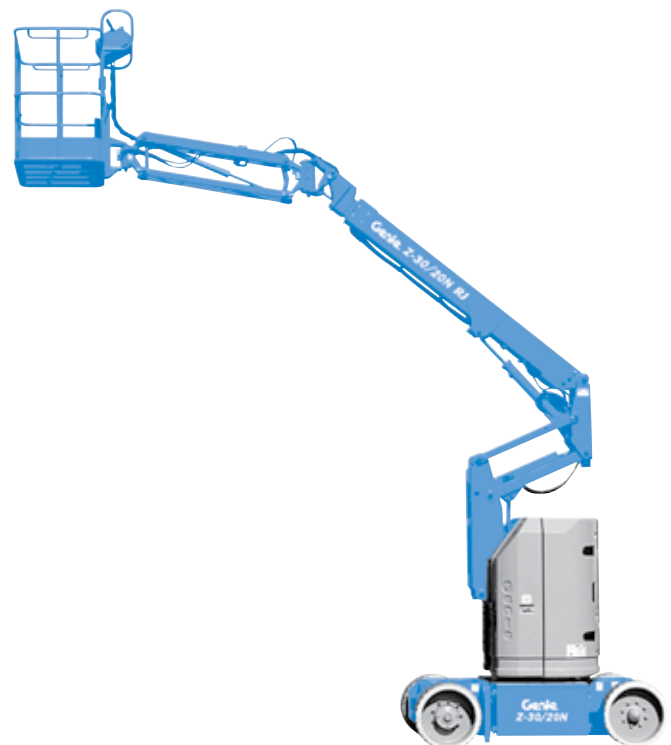
OPTIONS & ACCESSORIES

PRODUCTIVITY

- Platform swing gate
- Half-mesh platform inserts with swing gate
- Air line to platform
- Fire resistant hydraulic oil
- Biodegradable hydraulic oil
- Tool tray
- Fluorescent tube caddy
- Platform work lights
- Lockable platform control box cover
- Front driving lights

POWER OPTIONS

- Battery charge indicator (BCI)
- Low voltage interrupt with BCI
- Retained key selector switch
- 240 V power to platform



Auckland Head Office
6-10 Parkway Drive,
Mairangi Bay, Auckland
Phone: (+64) 09 443 2436
Email: sales@yrco.co.nz

Auckland, Mt Wellington
20L Sylvia Park Road,
Mt Wellington, Auckland
Phone: (+64) 09 553 5470
Email: salesmtwell@yrco.co.nz

Wellington
8 Broken Hill Road,
Porirua, Wellington
Phone: (+64) 04 212 2456
Email: saleswell@yrco.co.nz

Christchurch
20 Nga Mahi Road,
Sockburn, Christchurch
Phone: (+64) 03 341 6923
Email: saleschch@yrco.co.nz

YR Youngman
Richardson