

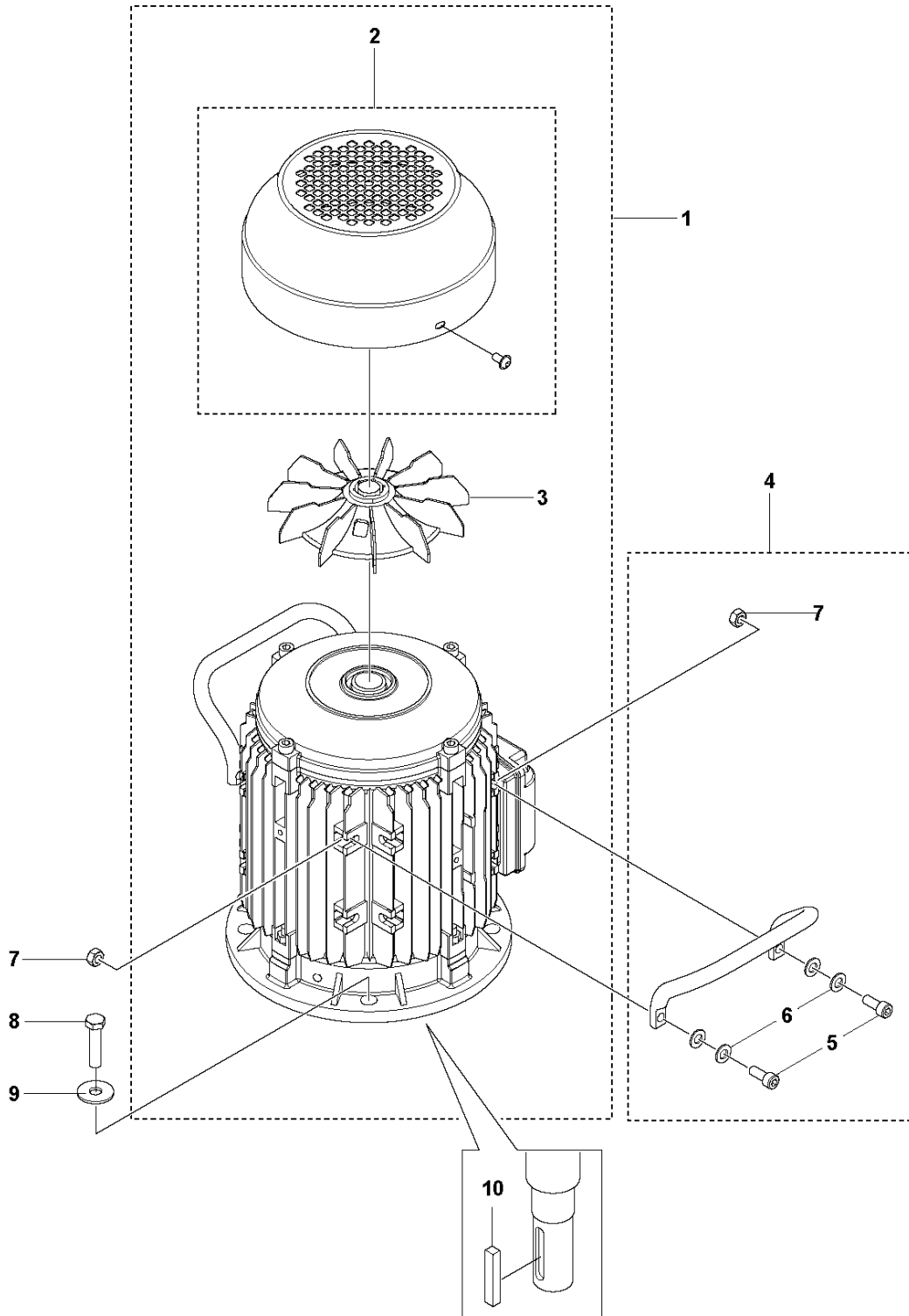


SPARE PARTS LIST

SURFACE PREPARATION EQUIPMENT

PG 510, 2019-10

A PG 510
MOTOR

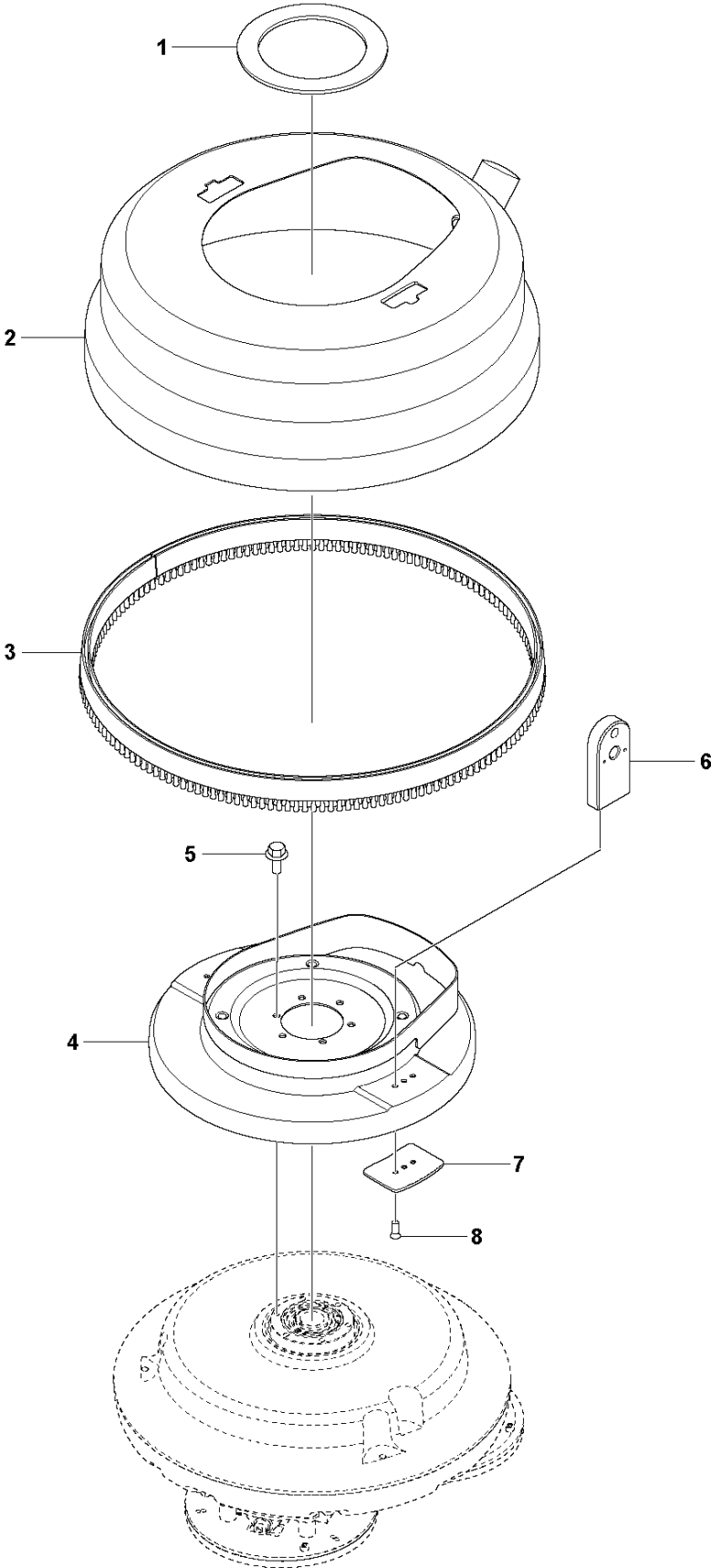


MOTOR

PG 510, 2019-10

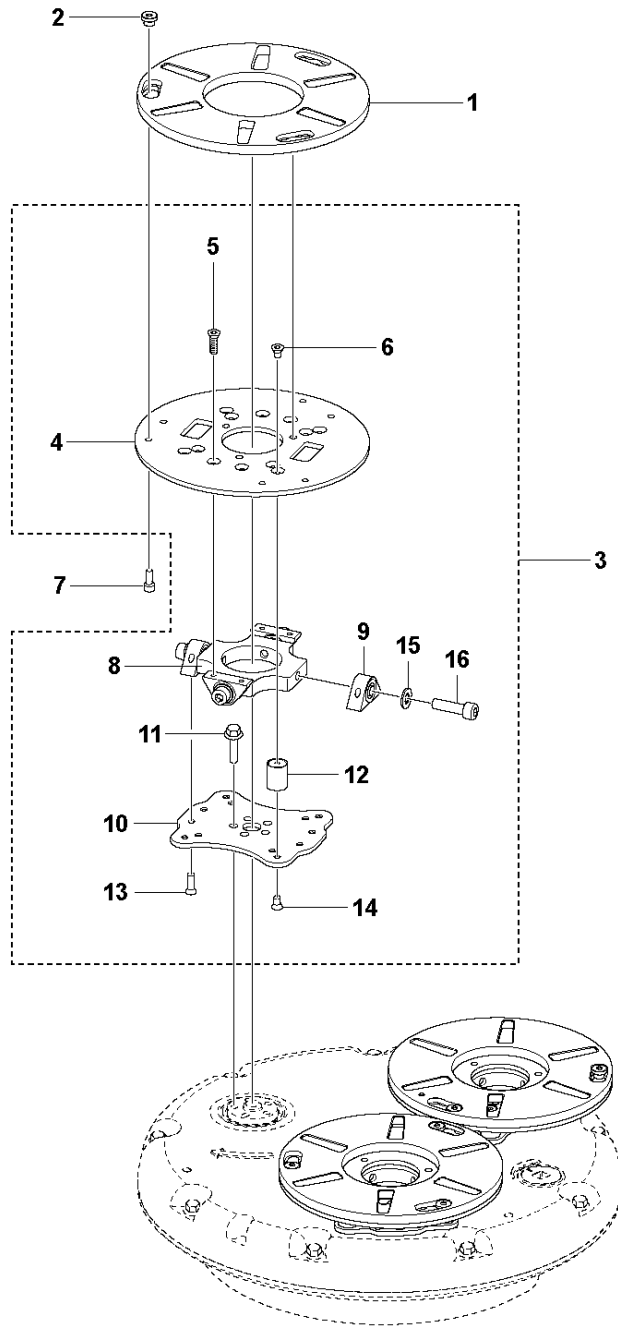
Ref	Part No	Description	Remark	QTY KIT	
1	585 19 19-01	MOTOR	2.2kW 230V 50Hz	1	
1	589 68 63-01	MOTOR	4kW 208-480V 3PH	1	
1	585 19 19-02	MOTOR	2.2kW 230V 60Hz	1	
1	585 19 22-01	MOTOR	1.5kW 110V 50Hz	1	
1	585 19 21-01	MOTOR	1.5kW 110V 60Hz	1	
2	598 44 38-01	MOTOR KIT		1	1
3	587 18 47-01	SPRING		1	1
4	598 44 39-01	MOTOR KIT		2	
5	725 54 53-01	SCREW IHSCM		4	4
6	734 11 63-01	WASHER		8	4
7	731 23 18-01	HEXAGON NUT		4	4
8	731 23 18-01	HEXAGON NUT		4	
9	725 25 42-71	SCREW EHHM		4	
10	734 11 78-01	WASHER		4	

B PG 510
GRINDING COVER



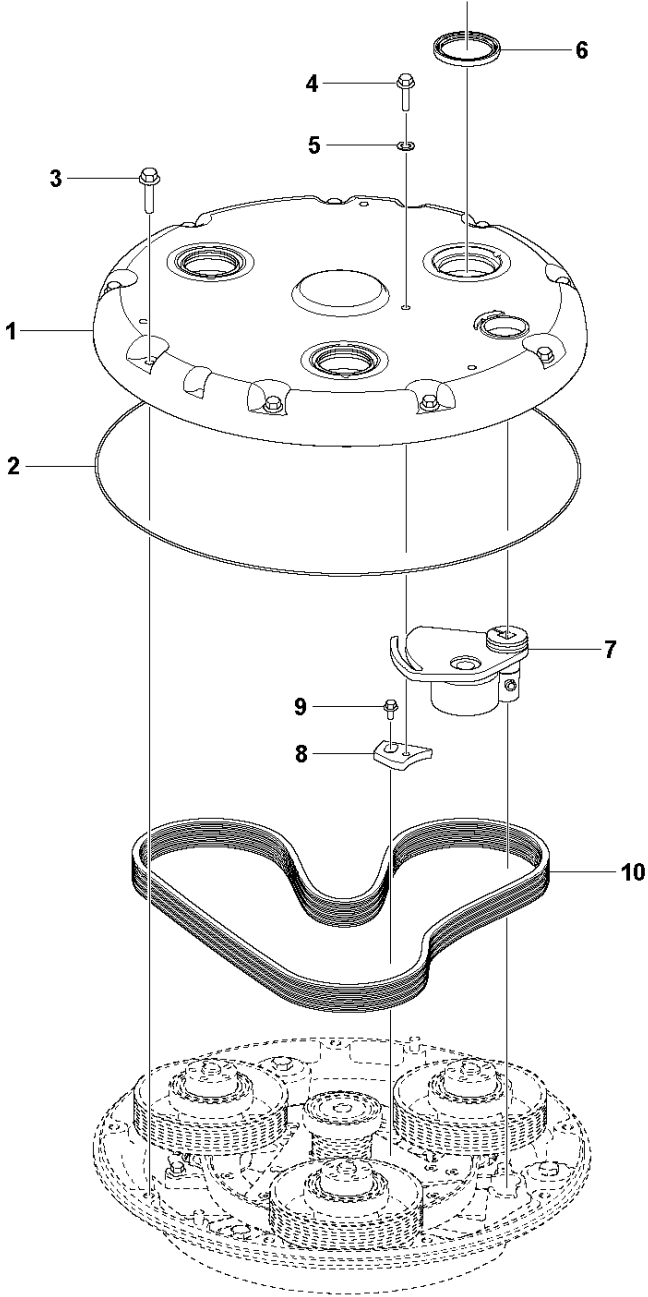
Ref	Part No	Description	Remark	QTY KIT
1	595 72 34-01	MOTOR		1
2	596 92 16-01	DUST COVER		1
3	593 44 61-03	STRIP		1
4	596 88 43-01	MOUNTING PLATE		1
5	593 51 35-01	SCREW		6
6	585 54 03-03	BRACKET		2
7	596 88 46-01	PLATE		2
8	725 63 70-51	SCREW IHCSFM		6

C PG 510
GRINDING HEAD LOWER



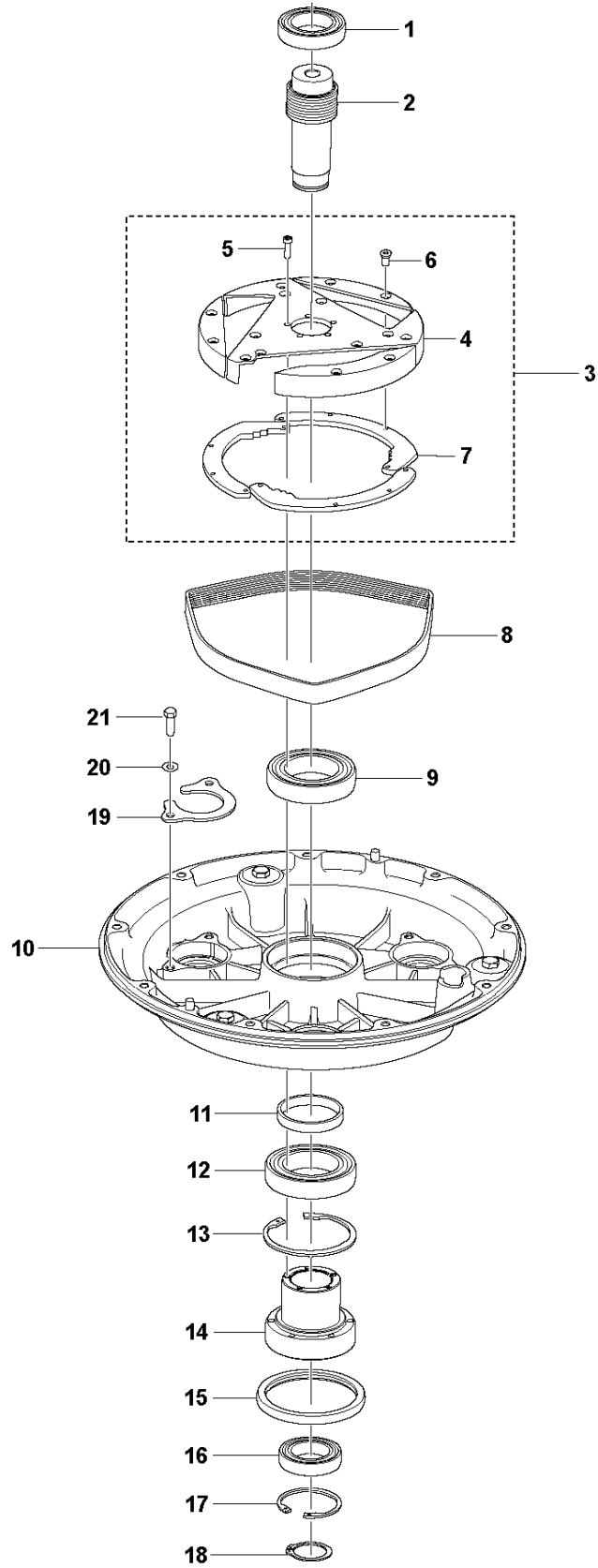
Ref	Part No	Description	Remark	QTY	KIT
1	502 54 58-01	HOLDER		3	
2	587 45 14-01	LOCK		9	
3	597 25 48-01	HOLDER		3	
4	597 55 07-01	HOLDER		3	
5	593 50 51-01	SCREW		12	3
6	593 50 12-01	SCREW		12	3
7	725 53 68-51	SCREW IHSCM		9	
8	593 53 62-01	CONNECTION		3	3
9	593 61 64-01	BUSHING		1	
10	597 55 06-01	HOLDER		3	3
11	593 51 35-01	SCREW		15	3
12	595 74 84-01	ABSORBER		12	3
13	593 50 51-01	SCREW		12	3
14	593 50 12-01	SCREW		12	3
15	593 49 91-01	WASHER		1	
16	597 55 23-01	SCREW		1	

D PG 510
GRINDING HEAD INTERNAL & UPPER



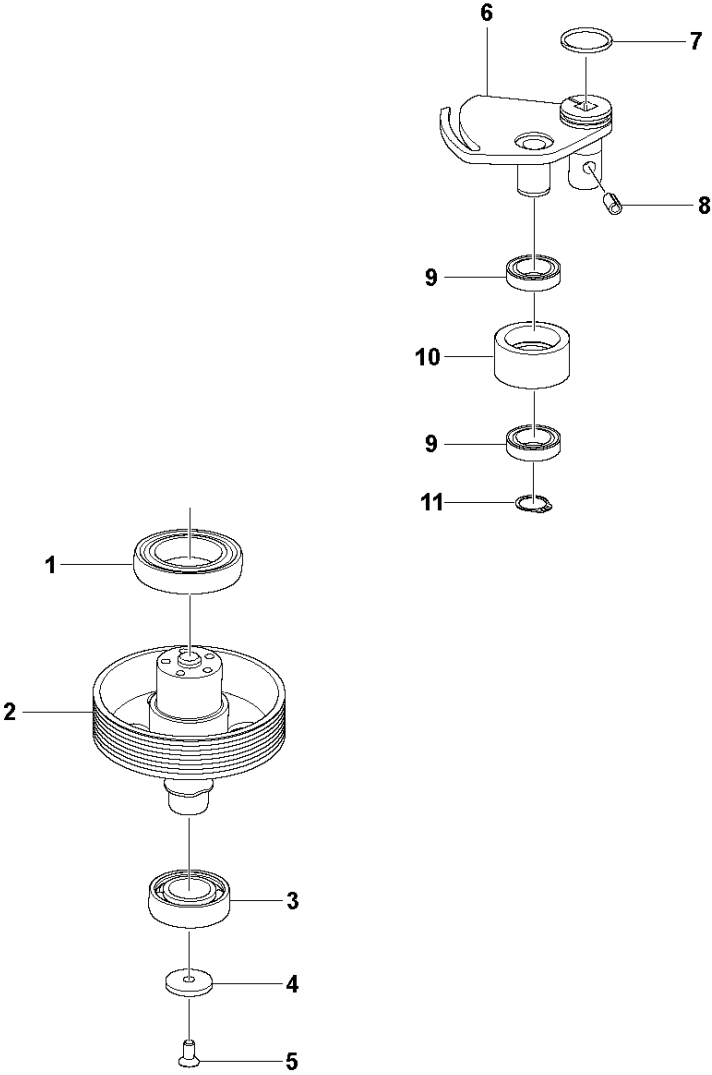
Ref	Part No	Description	Remark	QTY KIT
1	595 76 22-02	HOUSING		1
2	595 66 70-01	O-RING		1
3	595 68 10-01	SCREW		9
4	593 51 36-01	SCREW		1
5	595 68 33-01	WASHER		1
6	595 66 67-01	SHAFT		3
7	595 71 58-01	TENSIONER		1
8	595 76 33-01	TENSIONER		1
9	595 68 02-01	SCREW		1
10	595 66 55-01	BELT		1

E PG 510
CENTER HUB ASSY



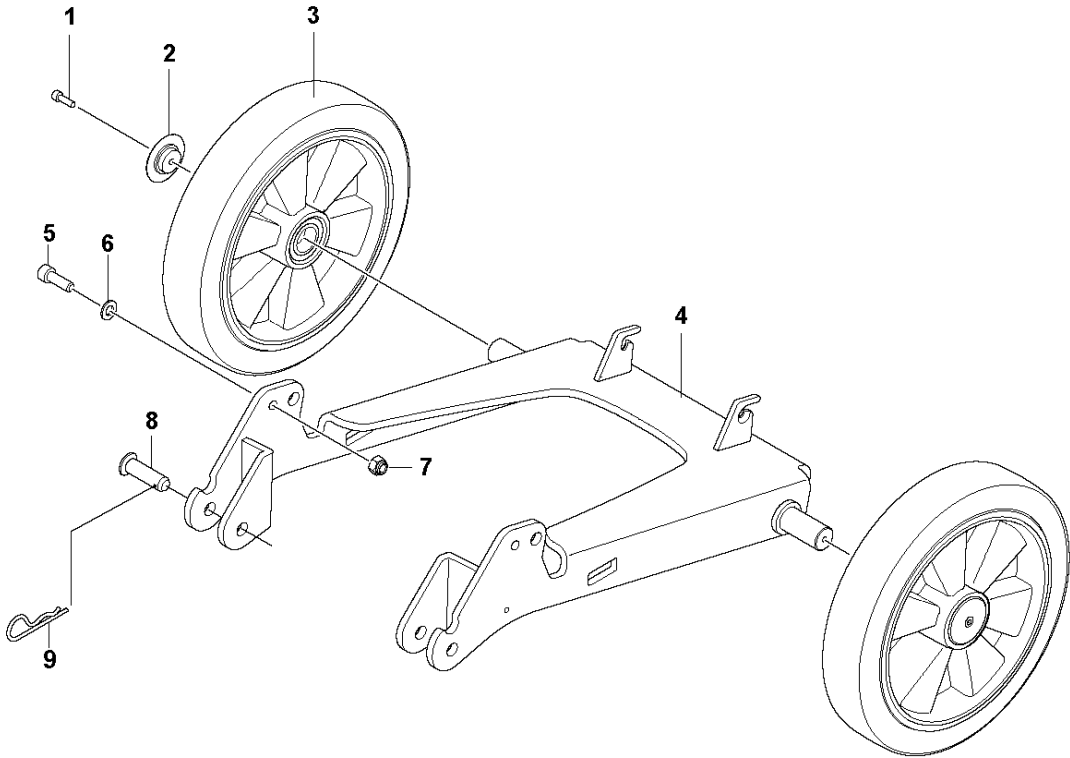
Ref	Part No	Description	Remark	QTY	KIT
1	595 66 62-01	BALL		1	
2	595 76 31-02	PULLEY		1	
3	595 76 27-01	PULLEY		1	
4	595 76 27-01	PULLEY		1	3
5	593 51 42-01	SCREW		5	3
6	593 50 96-01	SCREW		12	3
7	596 64 57-01	PLATE		1	3
8	595 66 56-01	BELT		1	
9	595 66 61-01	BALL		1	
10	595 76 23-02	HOUSING		1	
11	595 76 30-01	SPACER		1	
12	595 66 61-01	BALL		1	
13	593 50 30-01	CIRCLIP		1	
14	595 76 29-01	HUB		1	
15	595 66 68-01	SHAFT		1	
16	595 66 63-01	BALL		1	
17	593 51 32-01	CIRCLIP		1	
18	593 49 86-01	CIRCLIP		1	
19	595 71 60-01	SHAFT		1	
20	595 76 32-01	WASHER		1	
21	593 51 35-01	SCREW		2	

F PG 510
PULLEY AND AXLES



Ref	Part No	Description	Remark	QTY KIT
1	595 66 64-01	BALL		1
2	595 76 24-02	SHAFT		1
3	595 66 65-01	BALL		1
4	595 71 59-01	WASHER		1
5	593 50 78-01	SCREW		1
6	595 76 25-02	TENSIONER		1
7	593 48 78-01	O-RING		1
8	595 68 11-01	SPRING		1
9	595 66 66-01	BALL		2
10	595 76 26-01	PULLEY		1
11	593 49 68-01	CIRCLIP		1

G PG 510
CHASSIS

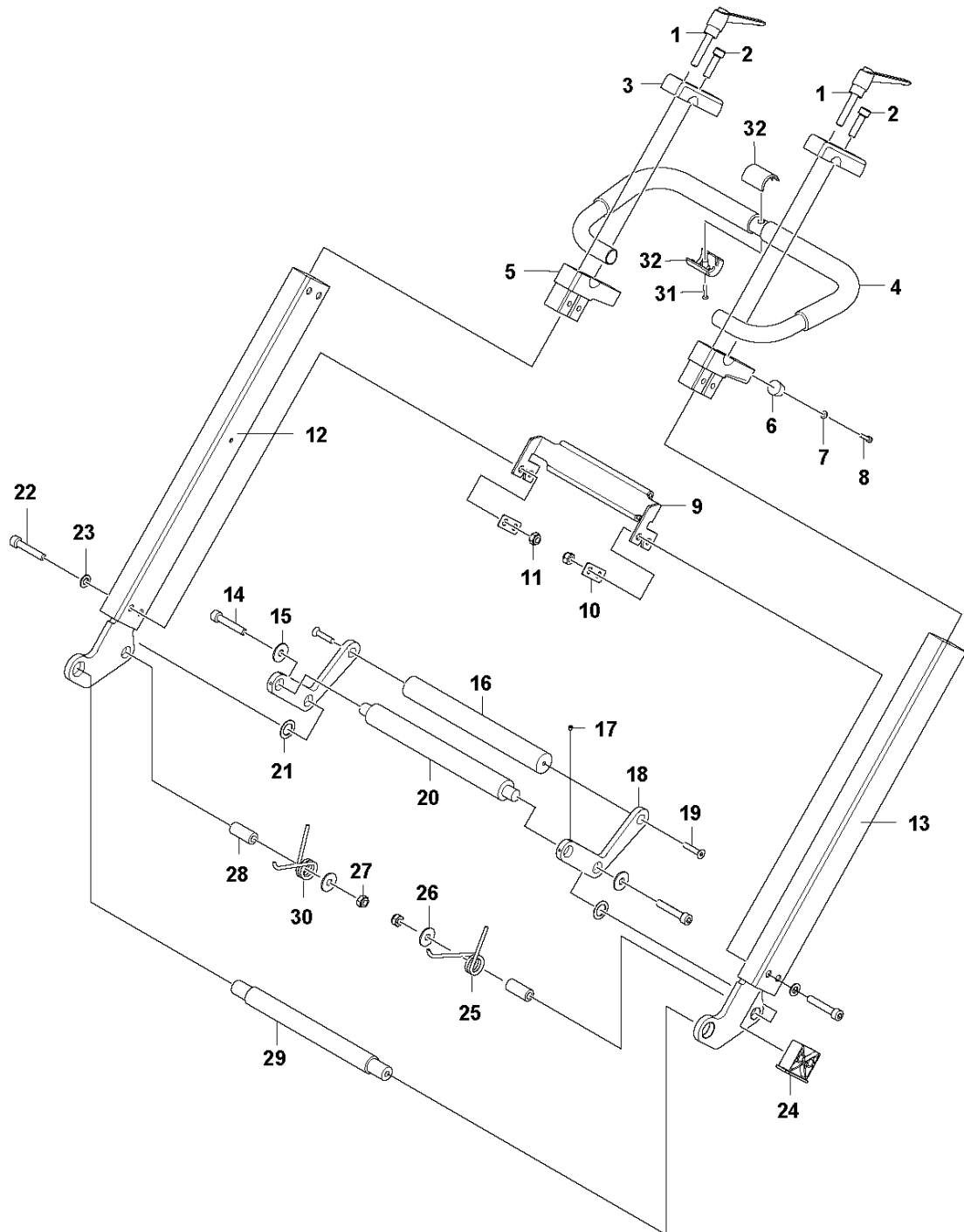


CHASSIS

PG 510, 2019-10

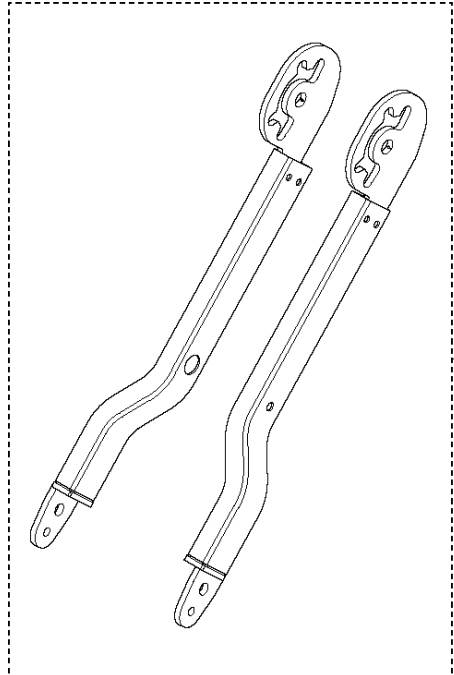
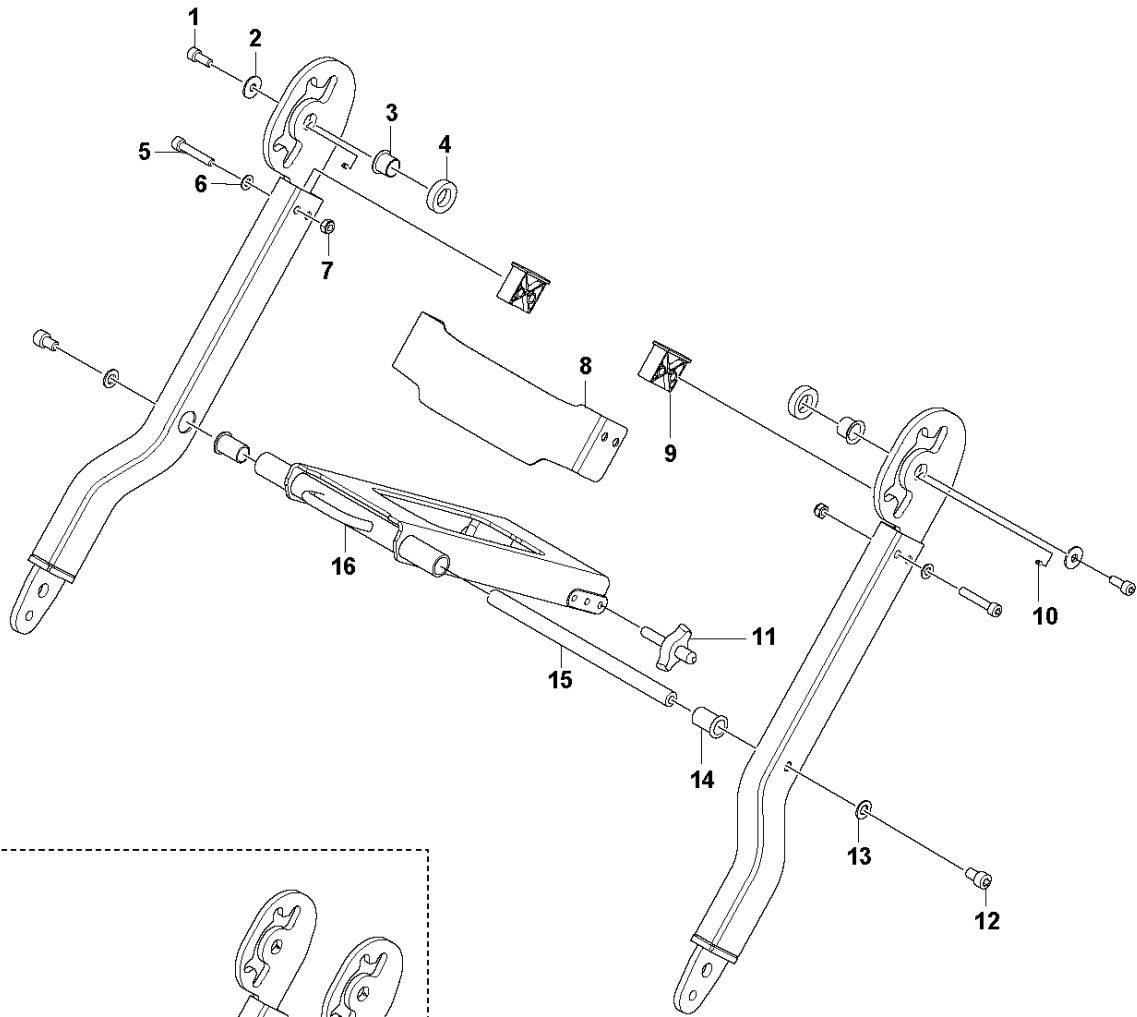
Ref	Part No	Description	Remark	QTY KIT
1	725 53 70-51	SCREW IHSCM		2
2	575 39 51-01	WASHER		2
3	502 54 50-01	WHEEL		2
4	585 10 92-03	FRAME ASSY		1
5	725 54 95-01	SCREW IHSCM		2
6	734 11 72-01	WASHER		2
7	732 25 20-01	HEXAGON LOCKING NUT		2
8	721 85 68-01	CLEVIS PIN		2
9	721 68 02-51	SPRING COTTER		2

H PG 510
FRAME

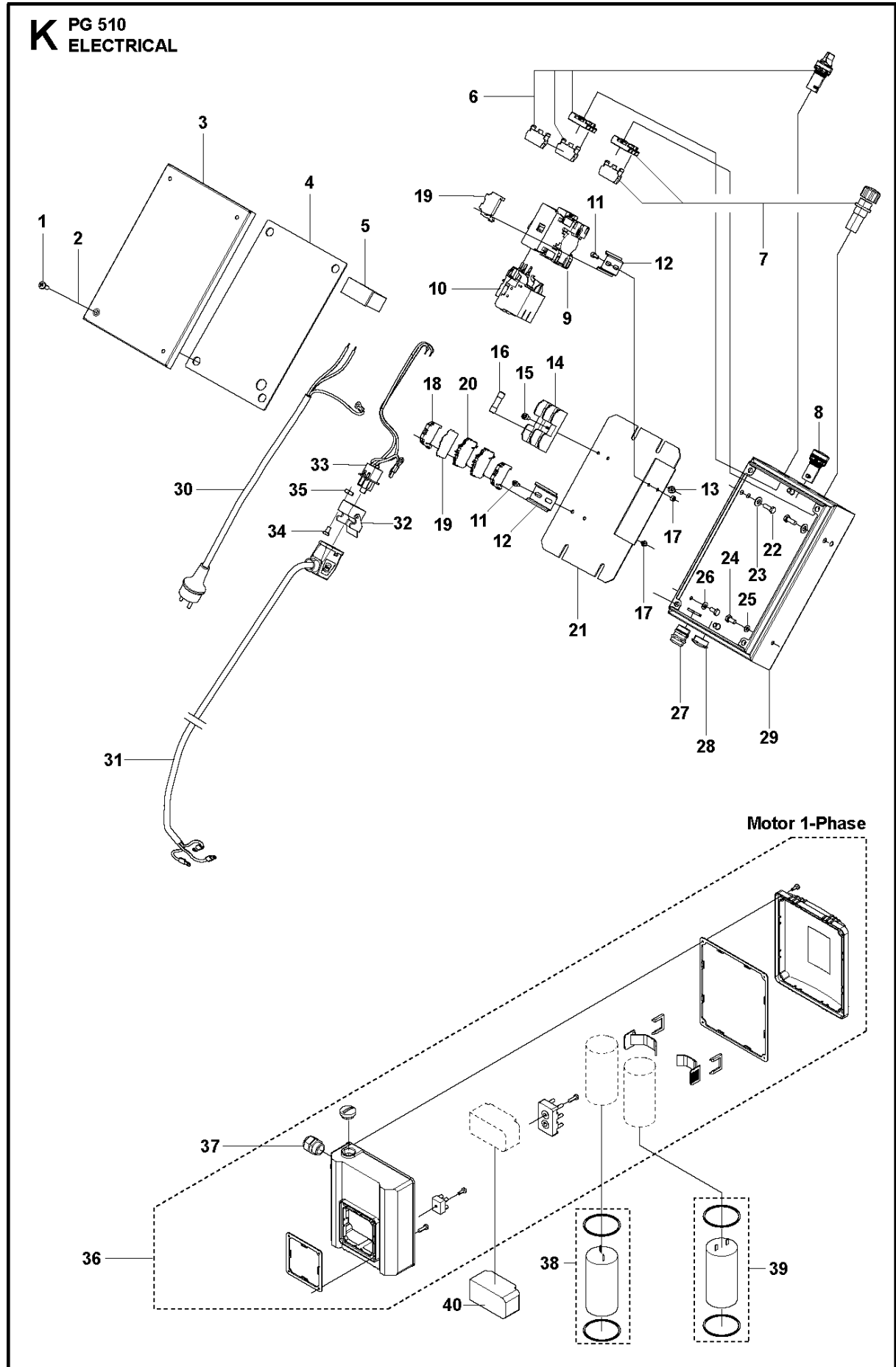


Ref	Part No	Description	Remark	QTY KIT
1	585 12 92-01	LOCKING HANDLE		2
2	725 54 55-21	SCREW IHSCM		2
3	585 51 66-01	BRACKET		2
4	585 14 40-01	HANDLE		1
5	585 51 67-01	BRACKET		2
6	585 51 68-01	RUBBER SHOE		2
7	734 11 36-01	WASHER		2
8	725 52 95-01	SCREW IHSCM		2
9	585 38 28-04	BRACKET		1
10	585 38 31-01	WASHER		2
11	732 21 18-01	LOCK NUT		4
12	585 57 35-09	FORK		1
13	585 57 35-10	FORK		1
14	725 54 61-01	SCREW IHSCM		2
15	734 11 65-41	WASHER		2
16	585 13 37-04	HANDLE		1
17	728 82 85-01	SCREW IHSETM		4
18	585 13 33-01	PLATE		2
19	725 63 74-51	SCREW		2
20	585 13 38-01	ROD		1
21	585 41 62-01	WASHER		2
22	725 54 60-01	SCREW IHSCM		4
23	734 11 63-01	WASHER		4
24	585 13 29-01	SPACER		2
25	585 41 61-01	SPRING		1
26	734 11 65-41	WASHER		2
27	732 21 18-01	LOCK NUT		2
28	585 38 33-02	SLEEVE		2
29	585 13 36-01	TUBE		1
30	585 41 73-01	SPRING		1
31	729 52 61-71	SCREW CRPANT		1
32	587 15 85-01	COVER		2

J PG 510
FRAME



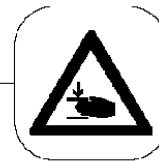
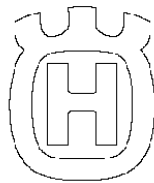
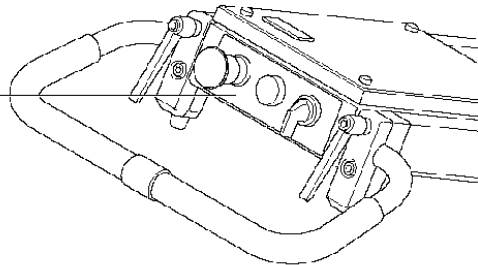
Ref	Part No	Description	Remark	QTY KIT
1	725 54 51-01	SCREW IHSCM		2
2	734 11 65-41	WASHER		2
3	585 41 60-01	BUSH		2
4	585 13 35-01	SPACER		2
5	725 54 60-01	SCREW IHSCM		4
6	734 11 63-01	WASHER		4
7	732 21 18-01	LOCK NUT		4
8	585 38 30-01	BRACKET		1
9	585 13 29-01	SPACER		2
10	728 82 85-01	SCREW IHSETM		4
11	590 47 22-01	WING KNOB		2
12	725 54 91-01	SCREW IHSCM		2
13	734 11 72-01	WASHER		2
14	585 12 91-01	BUSH		2
15	585 12 90-02	TUBE		1
16	585 10 97-02	SUPPORT		1
17	593 89 71-03	FRAME TUBE		1



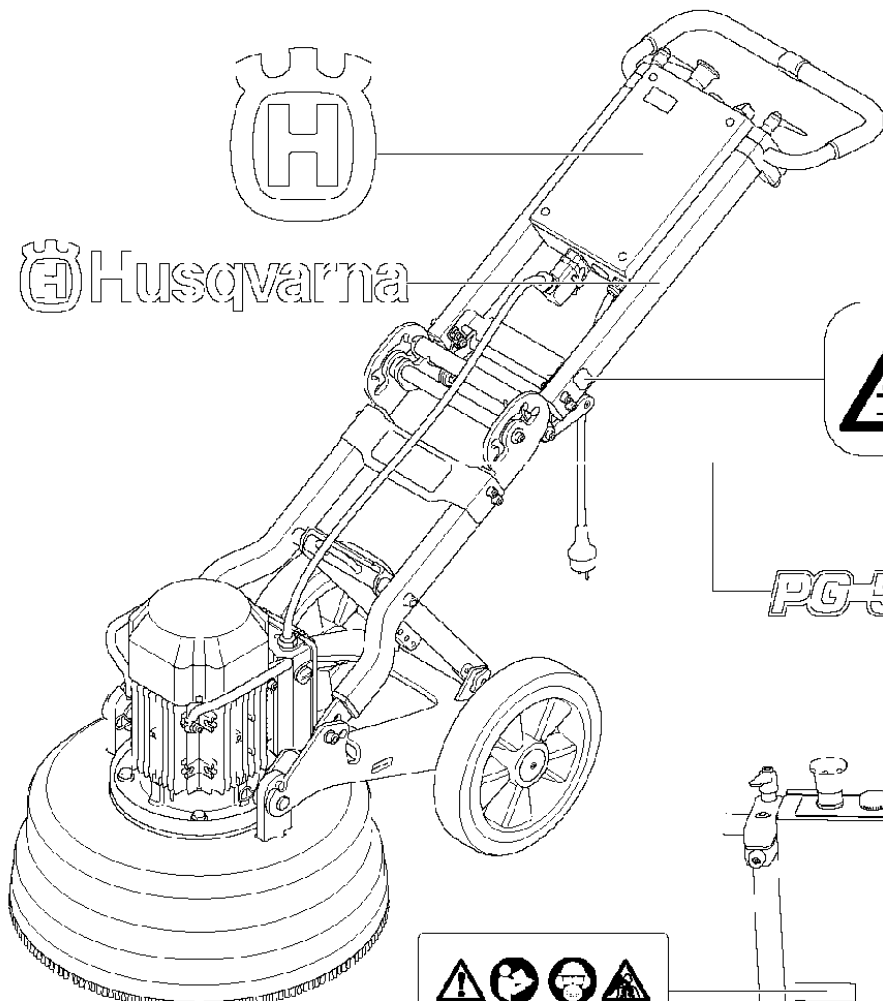
Ref	Part No	Description	Remark	QTY KIT
1	724 13 68-51	SCREW CRPANM		4
2	521 88 66-01	RIVET		4
3	586 47 43-01	LID		1
4	586 46 70-02	SEALING		1
5	584 29 63-01	HOUR METER		1
6	586 99 15-01	SWITCH KIT		1
7	586 99 16-01	SWITCH KIT		1
8	584 29 71-01	LAMP	230V	1
8	584 29 71-02	LAMP	110V	1
9	585 36 58-01	CONTACTOR	200-230V, 50/60Hz	1
9	585 36 58-02	CONTACTOR	100-120V, 60Hz	1
9	586 99 18-01	CONTACTOR	100-120V, 50Hz	1
10	584 29 78-01	RELAY	220-240V, 60Hz	1
10	580 62 35-02	PROTECTION	220-240V, 50Hz	1
10	580 62 35-01	PROTECTION	100-120V, 60Hz	1
10	584 29 78-05	RELAY	100-120V, 50Hz	1
11	725 53 25-01	SCREW IHSCM		4
12	522 74 70-01	RAIL		2
13	731 23 16-01	HEXAGON NUT		1
14	525 88 26-01	FUSE HOLDER		1
15	725 53 64-55	SCREW IHSCM		1
16	525 63 81-01	FUSE		2
17	732 25 14-01	HEXAGON LOCKING NUT		4
18	585 36 61-05	TERMINAL BLOCK		3
19	585 36 61-03	TERMINAL BLOCK		1
19	585 36 61-07	TERMINAL BLOCK	US 100-120V	1
20	585 61 35-01	TERMINAL BLOCK		1
20	585 36 61-01	TERMINAL BLOCK	US 120V	1
21	590 07 58-01	MOUNTING PLATE		1
22	725 24 51-71	SCREW EHHM		4
23	734 11 63-01	WASHER		4
24	725 23 66-51	HEXAGONAL SCREW M6X12		2
25	734 11 52-01	WASHER		1
26	735 21 53-01	LOCKWASHER		1
27	510 43 17-01	CABLE GROMMET		1
27	587 10 12-01	GROMMET	US120V	1
28	586 58 69-01	PLUG		1
28	586 58 69-02	PLUG	US only	1
29	582 50 69-03	ELECTRONIC BOX		1
30	586 23 68-03	CABLE		1
30	586 23 68-02	CABLE	AUS	1
30	586 23 68-08	CABLE	BR	1
30	586 23 68-12	CABLE	US, 120V	1
30	586 23 68-13	CABLE	US 240V	1
31	585 63 81-03	CABLE		1
31	585 63 81-10	CABLE	US/CAN, 240V	1
31	585 63 81-11	CABLE	US/CAN, 120V	1
32	585 36 66-05	CONNECTOR		1
33	590 50 35-01	CONNECTOR		1
34	725 52 24-01	SCREW		2
35	732 25 10-01	HEXAGON LOCKING NUT		2
36	587 17 39-01	ELECTRONIC BOX		1
37	510 43 17-02	CABLE GROMMET		1
37	587 10 12-01	GROMMET	US120V	1
38	587 17 45-01	CAPACITOR	230V, 50/60Hz	1
38	587 17 45-02	CAPACITOR	110V, 50/60Hz	1
39	587 17 44-01	CAPACITOR	230V, 50Hz	1
39	587 17 44-02	CAPACITOR	230V, 60Hz	1
39	587 17 44-03	CAPACITOR	110V, 50/60Hz	1
40	587 17 43-01	SWITCH	230V, 50Hz	1
40	587 17 43-02	SWITCH	208-230V, 60Hz	1
40	587 17 43-03	SWITCH	110V, 50/60Hz	1

**L PG 510
ACCESSORIES & DECALS**

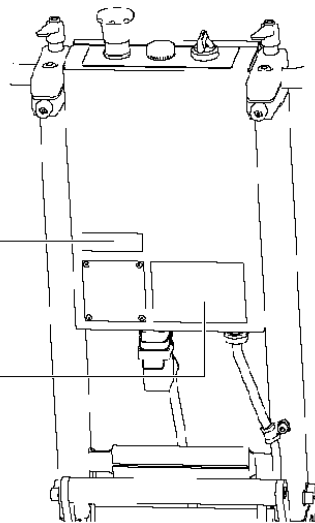
1



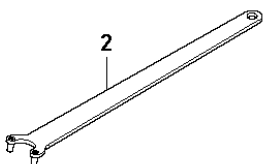
PG-510



WARNING
CAUTION
To reduce risk of injury from moving parts, apply before working.
WARNING
Disconnect from supply circuit before servicing or working.
ATTENTION
NEVER DO MAINTENANCE TO THIS MACHINE WHILE THE ENGINE IS RUNNING.
ALWAYS WEAR YOUR SAFETY GEAR AND PROTECTIVE EQUIPMENT.
PLEASE READ THE USER MANUAL.
Tillämpningsanvisningen är tillgänglig på svenska.
Tillämpningsanvisningen är tillgänglig på svenska.



2



Ref	Part No	Description	Remark	QTY KIT
1	597 24 87-07	DECAL SYSTEM		1
2	593 63 27-01	SERVICE TOOLS		1