

ARS 70

SOIL COMPACTOR
EU Stage V / U.S. EPA Tier 4 Final

AMMANN

WHEN MANOEUVRABILITY MATTERS

The ARS 70, Ammann's smallest soil compactor, is one of the most manoeuvrable compactors on the market. It is 16 per cent shorter than the previous generation and features a tight turning radius of 2580 mm (101.6 in). The machine is extremely compact because of its innovative design, which efficiently positions the engine, coolers, liquid tanks and hydraulics in the engine compartment. The ARS 70 also features improved visibility, fuel efficiency and climbing ability.

APPLICATIONS

- Pipeline construction
- Electric cable construction
- Social and industrial development areas
- Housing developments
- Backfill work
- Confined work spaces

PRODUCTIVITY

- High compaction output - faster compaction of thicker layers in fewer passes
- No-rear-axle concept – optimal stability and low center of gravity, which significantly improves safety on jobsites
- Variable range of vibration frequencies for added versatility
- ACE^{force} Intelligent Compaction tool for higher compaction efficiency

ERGONOMICS

- Spacious, quiet cab with integrated ROPS structure
- New multifunctional display for intuitive machine control and operation
- Excellent machine visibility with 360° view to machine edges and surroundings
- Innovative travel lever with speed adjustment and wider machine speed range (newly 5+1 speed instead of 3+1)

SERVICEABILITY

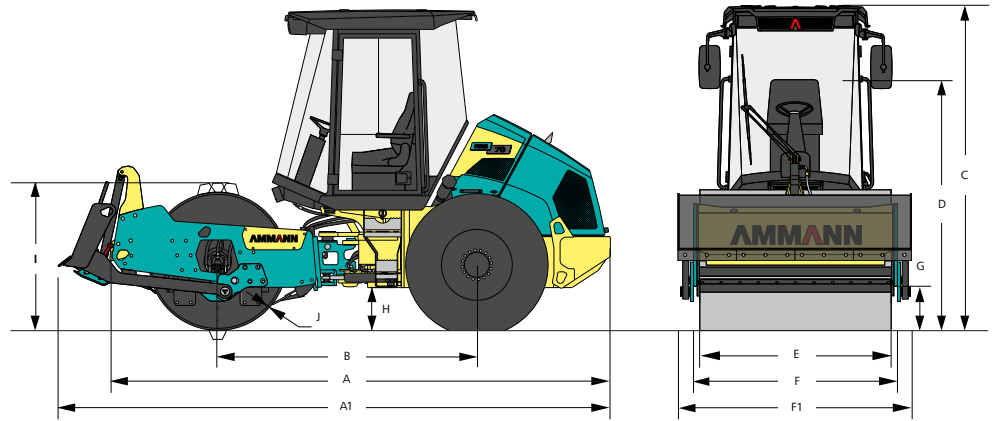
- All service points and engine compartment accessible from the ground
- Wide-opening rear hood for easy and fast daily maintenance
- ECOdrop – machine efficiency and reductions in fuel consumption and required fluids

MAXIMUM RECOMMENDED COMPACTED LIFT THICKNESS AT OPTIMAL WORKING CONDITIONS

	Rockfill	Sand / Gravel	Mixed Soils	Silt	Clay
ARS 70	-	* 450 mm (18 in)	* 350 mm (14 in)	250 mm (10 in)	150 mm (6 in)
ARS 70 (PD)	-	-	* 350 mm (14 in)	* 250 mm (10 in)	*200 mm (8 in)

* Recommended drum type

TECHNICAL SPECIFICATIONS
ARS 70 SOIL COMPACTOR
EU Stage V / U.S. EPA Tier 4 Final



DIMENSIONS

A	MACHINE LENGTH	4425 mm (174.4 in)
A1	MACHINE LENGTH (BLADE)	4985 mm (196.3 in)
B	WHEELBASE	2300 mm (90.6 in)
C	MACHINE HEIGHT	2860 mm (112.6 in)
D	MACHINE HEIGHT (OPERATOR SEAT)	2285 mm (90 in)
E	DRUM WIDTH	1680 mm (66.1 in)
F	MACHINE WIDTH	1790 mm (70.5 in)
F1	MACHINE WIDTH (BLADE)	2077 mm (81.8 in)
G	CURB CLEARANCE	382 mm (15 in)
H	GROUND CLEARANCE	380 mm (15 in)
I	DRUM DIAMETER	1225 mm (48.2 in) / *1377 mm (54.2 in)
J	DRUM THICKNESS	18 mm (0.7 in) / *15 mm (0.6 in)

*PD

ENGINE

MANUFACTURER	Kubota V3307-CR-TE5
POWER ACCORDING TO ISO 14396	55.4 kW (75 HP)
EXHAUST GAS AFTER-TREATMENT	EGR+DOC+DPF
EU Stage V / U.S. EPA Tier 4 Final	

COMPACTION FORCES

	PD	
FREQUENCY I	25–34 Hz (1500–2040 vpm)	25–33 Hz (1500–1980 vpm)
FREQUENCY II	25–36 Hz (1500–2160 vpm)	25–35 Hz (1500–2100 vpm)
AMPLITUDE I	1.6 mm (0.063 in)	1.65 mm (0.065 in)
AMPLITUDE II	0.7 mm (0.028 in)	0.71 mm (0.028 in)
CENTRIFUGAL FORCE I	71–131 kN (15,961–29,450 lbf)	90–156 kN (20,232–35,070 lbf)
CENTRIFUGAL FORCE II	31–64 kN (6969–14,388 lbf)	38–80 kN (8542–17,984 lbf)

MISCELLANEOUS

BRAKES OPERATING	Hydrostatic
BRAKES PARKING	Multiple-disc spring brake
BRAKES EMERGENCY	Multiple-disc spring brake
FUEL TANK CAPACITY	130 l (34.34 gal)
ARTICULATION ANGLE	±30°
OSCILLATION ANGLE	±9°

WEIGHT & OPERATING CHARACTERISTICS

	HX		PD	HXPD
OPERATING WEIGHT	6490 kg (14,310 lb)	6490 kg (14,310 lb)	6910 kg (15,230 lb)	6910 kg (15,230 lb)
MAXIMUM WEIGHT	8400 kg (18,520 lb)	8400 kg (18,520 lb)	8820 kg (19,440 lb)	8820 kg (19,440 lb)
STATIC LINEAR LOAD	23.2 kg/cm (129.9 lb/in)	23.2 kg/cm (129.9 lb/in)	-	-
PAD CONTACT SURFACE	-	-	82,5 cm ² (12.8 sq in)	82,5 cm ² (12.8 sq in)
PAD HEIGHT	-	-	80 mm (3.1 in)	80 mm (3.1 in)
MAX. TRANSPORT SPEED	12 km/h (7.5 MPH)	12 km/h (7.5 MPH)	12 km/h (7.5 MPH)	12 km/h (7.5 MPH)
MAX. WORKING SPEED	6 km/h (3.7 MPH)	6 km/h (3.7 MPH)	6 km/h (3.7 MPH)	6 km/h (3.7 MPH)
CLIMBING ABILITY WITHOUT / WITH VIBRATION	52% / 48%	68% / 52%	54% / 51%	64% / 51%
TURNING RADIUS (INNER)	2580 mm (101.6 in)	2580 mm (101.6 in)	2580 mm (101.6 in)	2580 mm (101.6 in)

STANDARD EQUIPMENT

- CE conformity
- Cab with ROPS structure
- Smooth drum with steel scrapers
- Multiple frequencies / 2 amplitudes vibration system
- External draining points
- Working headlights (front and rear)
- Ergonomic and suspended operator seat
- Multifunctional operator display
- Telematics ready

OPTIONAL EQUIPMENT

- Air-conditioning (cab version only)
- Drum - PD version / steel scrapers
- Drum - PD shell kit / steel scrapers
- Smooth drum - vulcalon scrapers
- ACE^{force} - Ammann Compaction Expert
- Warning beacon
- Backup alarm
- HX drive
- Dozer blade