

# ARX 12-2

## LIGHT TANDEM VIBRATORY ROLLER

EU Stage V / U.S. EPA Tier 4 final



### PERFORMANCE ON THE EDGES

The Ammann ARX 12-2 Light Tandem Roller can work with drums in-line or off-set, enabling homogenous compaction against obstructions – and productivity in more open spaces. Operators of all experience levels find the machine easy to control, in part because of the automated intelligent functions (such as AVC - Automatic Vibration Control, an integrated parking brake, soft/hard mode).

Soft drive enables smooth, steady adjustments to directional changes – particularly important when working on asphalt. Hard drive responds quickly to directional changes.

### PRODUCTIVITY

#### Electronic drive lever

Advanced drive control enables smooth starts and stops during machine operation.

#### Articulation joint with oscillation

Great manoeuvrability and constant contact with the surface are key factors in achieving high quality compaction.

#### Sprinkling system

Multi-level filtration system with large water tank for extended intervals between fillings.

### ERGONOMICS

#### Operator platform design

Spacious operator platform with comfortable driver's seat.

#### Simple & convenient operation control

Dashboard with clear display and intuitive machine control.

#### Exceptional operator visibility

Perfect all-around machine visibility to maximise safety on the jobsite.

### APPLICATIONS

- Small and medium construction sites
- City roads
- Boardwalks
- Repair works in city centre

### SERVICEABILITY

#### Tool-free daily inspection

Quick and easy daily inspection.

#### Maintenance-free parts

Reduce time required for machine maintenance and prevent damage to components.

#### Service point locations

Service and regular maintenance points are quickly and easily accessible.

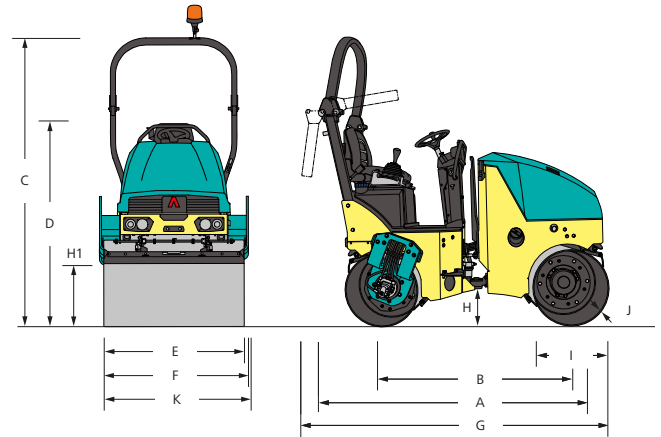
MAXIMUM RECOMMENDED COMPACTED LIFT THICKNESS AT OPTIMAL WORKING CONDITIONS

	Sand / gravel	Mixed soils	Silt	Clay	Stabilisation	Asphalt
ARX 12-2	200 mm (7.9 in)	150 mm (5.9 in)	–	–	100 mm (3.9 in)	80 mm (3.2 in)

TECHNICAL SPECIFICATIONS  
 ARX 12-2 LIGHT TANDEM VIBRATORY ROLLER  
 EU Stage V / U.S. EPA Tier 4 final

### DIMENSIONS

A	Machine length	2140 mm (84.3 in)
B	Wheelbase	1440 mm (56.7 in)
C	Machine height	2400 mm (94.5 in)
D	Machine height (folded ROPS)	1725 mm (67.9 in)
E	Drum width	820 mm (32.3 in)
F	Working width with offset	868 mm (34.2 in)
G	Machine length (folded ROPS)	2330 mm (91.7 in)
H	Ground clearance	230 mm (9.1 in)
H1	Side clearance	370 mm (14.6 in)
I	Drum diameter	580 mm (22.8 in)
J	Drum shell thickness	13 mm (0.5 in)
K	Machine width (total)	865 mm (34.1 in)



### WEIGHT & OPERATING CHARACTERISTICS

Operating weight CECE	1460 kg (3219 lb)
Operating weight max.	1610 kg (3549 lb)
Stat. lin. load of front drum	8.2 kg/cm (18 lb/in)
Stat. lin. load of rear drum	9.6 kg/cm (21 lb/in)
Turning radius inside	2100 mm (82.7 in)
Steering / Oscillating angle	30/6 ±°
Drum offset	48 mm (1.9 in)

### ENGINE

Engine type	Kubota D1105
Emmission class	EU Stage V, U.S. EPA Tier 4 Final
Power output ISO 3046	15.6 kW (21.2 HP)
Cylinder / ltr.	3 cyl / 1123 No./ccm
1. / 2. working speed	2400 / 2600 rpm
Travel speed	8.1 km/h (5 MPH)
Gradeability with / without vibr.	30 % / 35 %

### COMPACTION FORCES

Amplitude I	0.5 mm (0.02 in)
Amplitude II	0.5 mm (0.02 in)
Frequency I	60 Hz (3600 VPM)
Frequency II	70 Hz (4200 VPM)
Centrifugal force I	19 kN (4271 lbf)
Centrifugal force II	22 kN (4946 lbf)

### MISCELLANEOUS

Battery / Capacity	12/77 V/Ah
Water tank	110 l (29.1 gal)
Hydraulic tank	28.5 l (7.5 gal)
Diesel fuel tank	24 l (6.3 gal)

### STANDARD

- Front and rear vibration & drive
- Pressurised pulse interval sprinkler system
- 2 working frequencies
- Control system with emergency stop
- Ammann Vibration Control
- Central lifting point
- Hydraulic test ports
- On-board diagnostics
- Front/rear rubber bumpers
- ATC - Ammann Traction Control
- Battery disconnection switch

### OPTIONAL EQUIPMENT

- CE-kit with folding ROPS and working lights
- Road lights
- Infrared thermometer
- Reverse alarm
- Additional working lights (ROPS mounted)
- Warning beacon
- Second drive-lever, left
- Arm rests
- Edge-cutter inc. Multi-function lever
- Bio-degradable hydraulic oil
- Drums in-line
- Customer color
- Weather canopy
- Servicelink