

**KATO**

# Mini Excavator HD45V4

A 4.8 ton reduced tail swing mini excavator  
with exceptional performance



YRCO.CO.NZ

**YR** Youngman  
Richardson

# Mini Excavator



## HD45V4

A 4.8 ton reduced tail swing mini excavator with exceptional performance

### Features

- Newly designed operator's space
- Reduced tail swing
- Easy maintenance
- Low fuel consumption
- Powerful digging & quick response

### Safety

- Gate lock system
- Neutral engine start
- ROPS / FOP cabin
- Auto parking brake in swing & traction motors

### Durability

- Easily adjustable pins for longer life
- Castle nuts for boom & arm joints
- Single structured swing pin

### Easy Maintenance

- Large side covers for easy access & maintenance
- Wide, fully opening engine cover enables ease of maintenance
- Filters are conveniently located - Includes: Large fuel filter, water separator & tank breather



### Comfortable Operating Room



**Centralised switches** - includes key start, throttle dial, auto idle & eco mode



**Easily visible monitor** - includes travel speed, auto idle, eco mode, hour meter & engine management



**Full suspension seat** - c/w retracting seat belt



**Control Lever with proportional switch for auxiliary hydraulic**



**Traction foot pedals (fold away)**



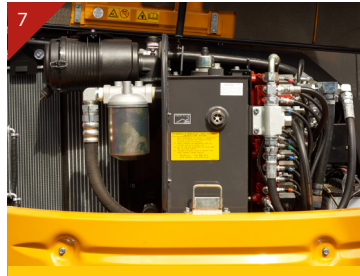
# Mini Excavator



## Easy maintenance



Large rear access for easy engine maintenance



Large side cover for easy service access



Water separator with indicator

## Safety



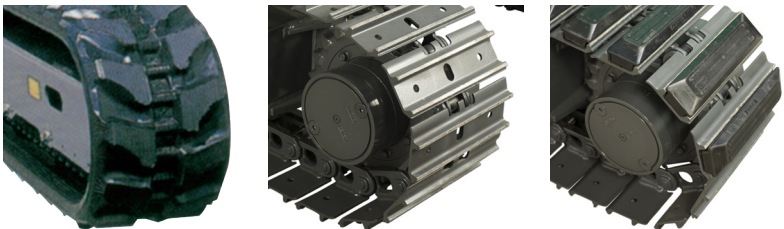
Gate Lock System

## Durability



Single-structured Swing Pin

## Track options



Rubber Tracks / Steel Track / Rubber Pad Options

## Easy skimming work



Close distance between Bucket Tooth and Dozer Blade

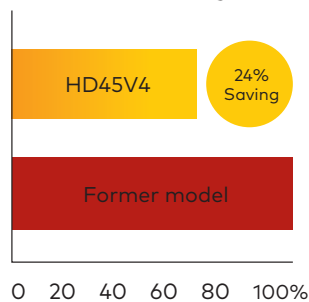
## Easy fuel refilling



Fuel refill located in a convenient position

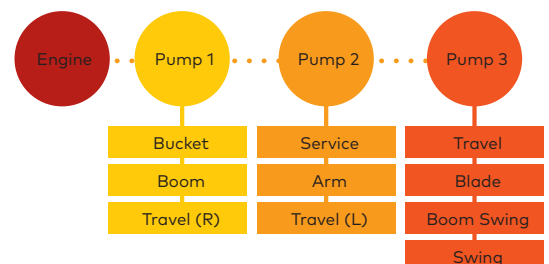
## Lower Fuel Consumption

Max. 24% fuel saving\*



## High Digging Power & Quick Response

Digging force increased by 10%  
Highly responsive 3-pump system



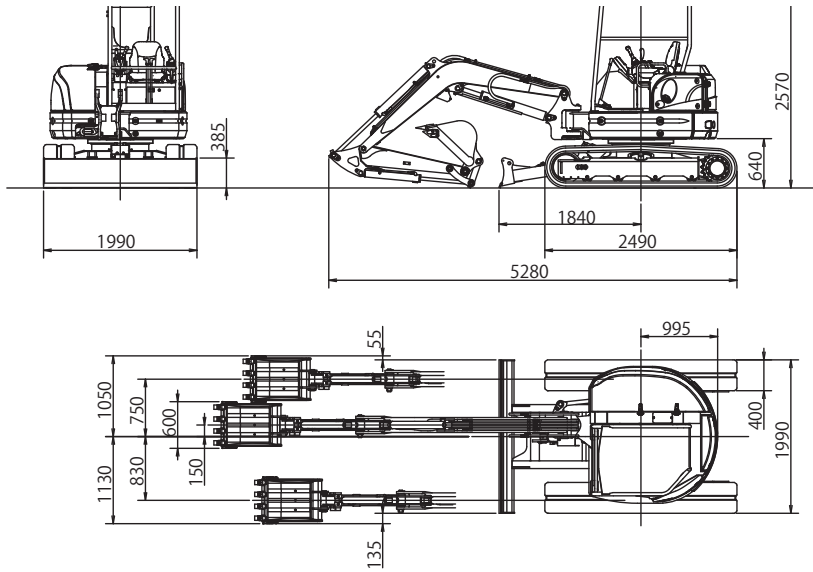


# HD45V4 Mini Excavator

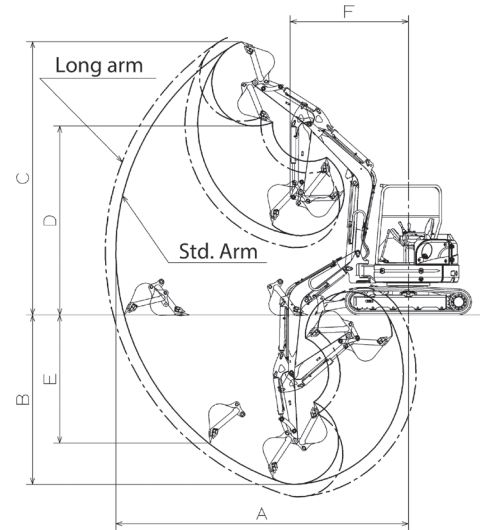


## SPECIFICATIONS

### ■ Dimensions (Units mm)



### ■ Working Range (Units mm)



### STANDARD

- ROPS cabin
- Auxiliary piping
- Flashing light
- Removable counter weight
- Rubber tracks

### OPTIONS

- ROPS canopy
- Steel tracks
- Rubber pads
- Short arm
- Air conditioning

	Standard	Option (Short arm)
A. Max. digging radius	5970	5760
B. Max. digging depth	3590	3340
C. Max. digging height	5470	5380
D. Max. dumping height	3820	3720
E. Max. vertical digging depth	2690	2520
F. Min. front turning radius	2420	2320
At right boom swing	2100	2010

Performance		Boom swing system	
Bucket capacity	0.14m <sup>3</sup>	Type	Boom offset with hydraulic cylinder
Bucket width (Standard)	600mm	Swing angle (L/R)	80°/50°
Operating weight: 4-Post(Cabin)	4705 (4855) kg	<b>Hydraulic system</b>	
Transportation weight: 4-Post(Cabin)	4630 (4780) kg	Pressure	24.5MPa 250kgf/cm <sup>2</sup> / 20.6MPa 210kgf/cm <sup>2</sup>
Swing speed	9.3min <sup>-1</sup>	Pump hydraulic flow	60 L/minx2+ 44.2L/min
Travel speed (low/high)	2.9 / 4.6km/h	<b>Dozer blade</b>	
Gradeability	58% (30°)	Size	1990x385mm
Ground pressure	27kPa (0.28kgf/cm <sup>2</sup> )	Lift above ground / Drop below ground	460mm / 430mm
Max bucket digging force	31.0kN (3160kgf)	<b>Max auxiliary flow</b>	
<b>Engine</b>		1st Auxiliary line	60L/min
Model	KUBOTA V2403-DI	2nd Auxiliary line	44L/min (Option)
Rated output (EU version)	32.4kW (44.1PS)/2400min <sup>-1</sup>		
Fuel tank capacity	66L		

\*Note: Depending on factory availability & changes specifications may vary from above.

## Product Range:



HD17VXE



HD25V5



HD30V5 / HD35V5

## PARTS AND SERVICE

We are proud of the back-up service we offer to customers. The importance of stocking genuine spare parts for all the equipment we supply is a high company priority.

**Auckland, Head Office**  
6-10 Parkway Drive,  
Mairangi Bay,  
Auckland  
(+64) 09 443 2436  
sales@yrco.co.nz

**Auckland, Mt Wellington**  
20L Sylvia Park Road,  
Mt Wellington,  
Auckland  
(+64) 09 553 5470  
salesmtwell@yrco.co.nz

**Wellington**  
8 Broken Hill Road,  
Porirua,  
Wellington  
(+64) 04 212 2456  
saleswell@yrco.co.nz

**Christchurch**  
20 Nga Mahi Road,  
Sockburn,  
Christchurch  
(+64) 03 341 6923  
saleschch@yrco.co.nz

