

KATO

Mini Excavator

HD35V5

A 3.6 ton zero tail swing mini excavator
with exceptional performance



YRCO.CO.NZ

YR Youngman
Richardson

Mini Excavator



HD35V5

A 3.6 ton zero tail swing mini excavator with exceptional performance

Features

- Newly designed operator's space
- Powerful digging & quick response
- Zero tail swing
- Easy maintenance
- Low fuel consumption

Safety

- Gate lock system
- Neutral engine start
- ROPS / FOPS cabin or canopy
- Auto parking brake in swing & traction motors

Durability

- Easily adjustable pins for longer life
- Castle nuts for boom & arm joints
- Single structured swing pin

Easy Maintenance

- Large side covers for easy access & maintenance
- Wide, fully opening engine cover enables ease of maintenance
- Filters are conveniently located - Includes:
Large fuel filter, water separator & tank breather



Comfortable Operating Room



Centralised switches - includes key start, throttle dial, auto idle & eco mode



Easily visible monitor - includes travel speed, auto idle, eco mode, hour meter & engine management



Full suspension seat
- c/w retracting seat belt



Control Lever with proportional switch for auxiliary hydraulic



Traction foot pedals (fold away)



Easy maintenance



Large rear access for easy engine maintenance



Large side cover for easy service access



Water separator with indicator

Safety



Gate Lock System



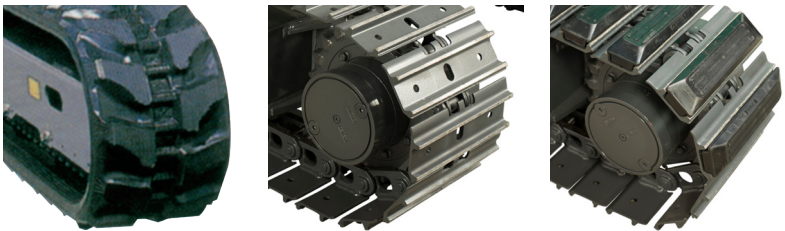
ROPS Canopy (Option)

Durability



Single-structured Swing Pin

Track options



Rubber Tracks / Steel Track / Rubber Pad Options

Easy skimming work



Close distance between Bucket Tooth and Dozer Blade

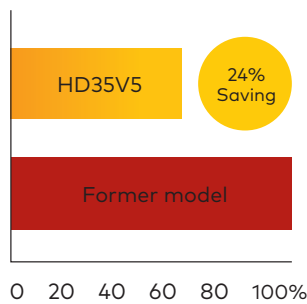
Easy fuel refilling



Fuel refill located in a convenient position

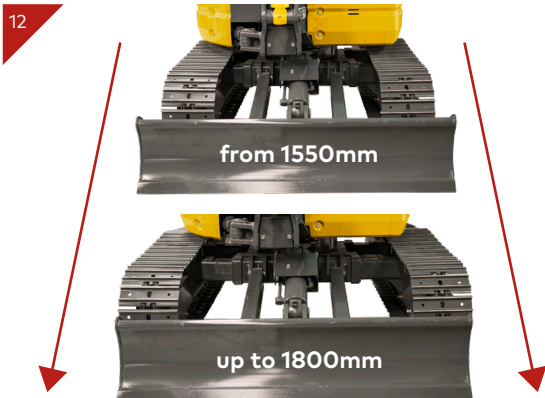
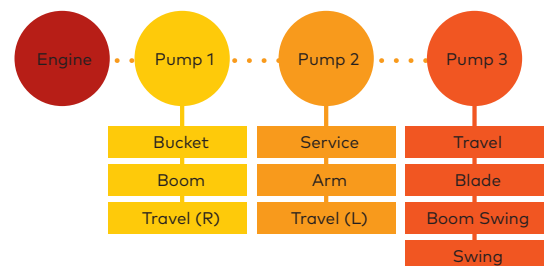
Lower Fuel Consumption

Max. 24% fuel saving*



High Digging Power & Quick Response

Digging force increased by 10%
Highly responsive 3-pump system



Quick pattern changer (optional)

Retractable dozer blade extension (optional)

The blade width can be easily adjusted, offering you the flexibility to fit the job. Adjustment is simple and easy with the two fastening pins.

Equipped with expanding tracks*

With the widest ranging spanners in its class, the machine can access into tight spaces to ensure a very high level of work performance.

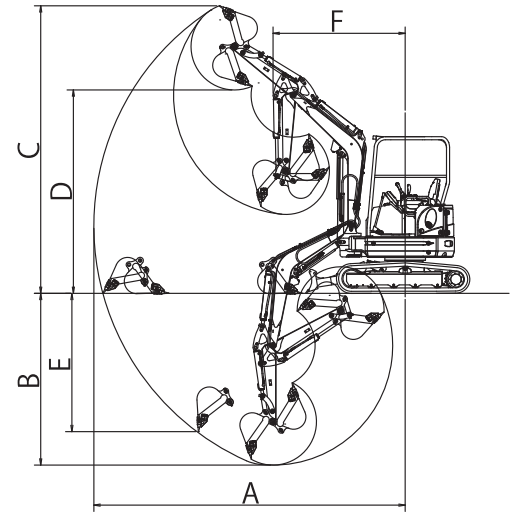
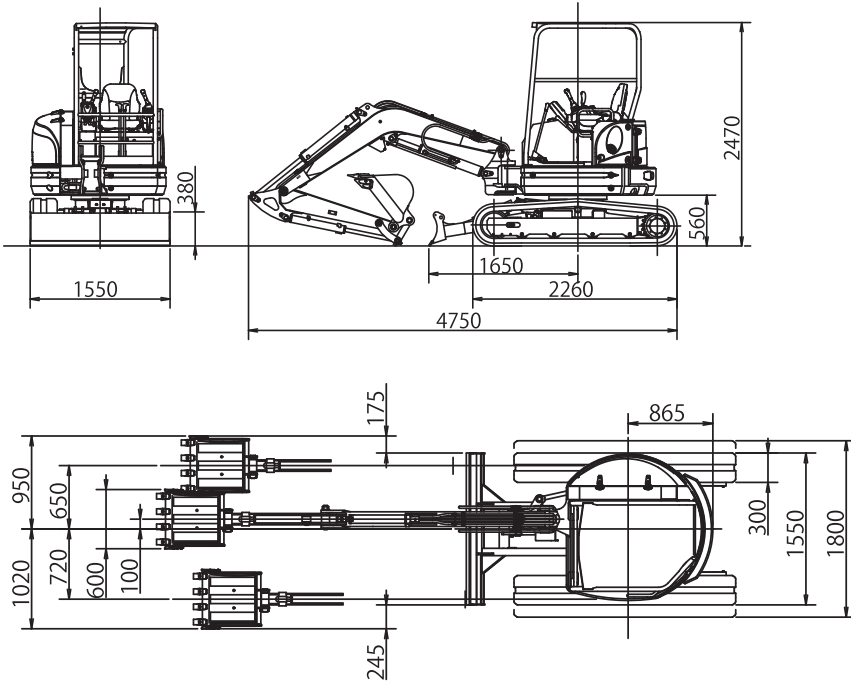
HD35V5 Mini Excavator



SPECIFICATIONS

Dimensions (mm)

Working Range (mm)



STANDARD

- ROPS cabin
- Auxiliary piping
- Flashing light
- Removable counter weight
- Rubber tracks

OPTIONS

- ROPS canopy
- Steel tracks
- Rubber pads
- Short arm
- Less counterweight

	Standard	Option (short arm)
A. Max. digging radius	5540	5260
B. Max. digging depth	3380	3080
C. Max. digging height	5020	4930
D. Max. dumping height	3540	3430
E. Max. vertical digging depth	2750	2470
F. Min. front turning radius	2200	2160
At right boom swing	1910	1870

Performance		Boom swing system	
Bucket capacity	0.11m ³	Type	Boom offset with hydraulic cylinder
Bucket width (Standard)	600mm	Swing angle (L/R)	80°/50°
Operating weight: 4-Post(Cabin)	3525 (3675) kg	Hydraulic system	
Transportation weight: 4-Post(Cabin)	3450 (3600) kg	Pressure	24.5MPa 250kgf/cm ² /20.6MPa 210kgf/cm ²
Swing speed	9.0min ⁻¹	Pump hydraulic flow	37.4 L/minx2+ 23.1L/min
Travel speed (low/high)	2.7 / 4.7km/h	Dozer blade	
Gradeability	58% (30°)	Size	1550x380mm
Ground pressure	29kPa (0.30kgf/cm ²)	Lift above ground / Drop below ground	385mm / 430mm
Max bucket digging force	29.1kN (2970kgf)	Max auxiliary flow	
Engine		1st Auxiliary line	61L/min
Model	YANMAR 3TNV88	2nd Auxiliary line	23L/min (Option)
Rated output (EU version)	17.5kW 23.8PS /2200min ⁻¹		
Fuel tank capacity	42L		

PARTS AND SERVICE

We are proud of the back-up service we offer to customers. The importance of stocking genuine spare parts for all the equipment we supply is a high company priority.

Auckland, Head Office
6-10 Parkway Drive,
Mairangi Bay,
Auckland
(+64) 09 443 2436
sales@yrco.co.nz

Auckland, Mt Wellington
20L Sylvia Park Road,
Mt Wellington,
Auckland
(+64) 09 553 5470
salesmtwell@yrco.co.nz

Wellington
8 Broken Hill Road,
Porirua,
Wellington
(+64) 04 212 2456
saleswell@yrco.co.nz

Christchurch
20 Nga Mahi Road,
Sockburn,
Christchurch
(+64) 03 341 6923
saleschch@yrco.co.nz

