



## **Husqvarna TS300E**

Pièces de rechange

Spare parts

Ersatzteile

Piezas de repuesto

Ricambi

Onderdelen

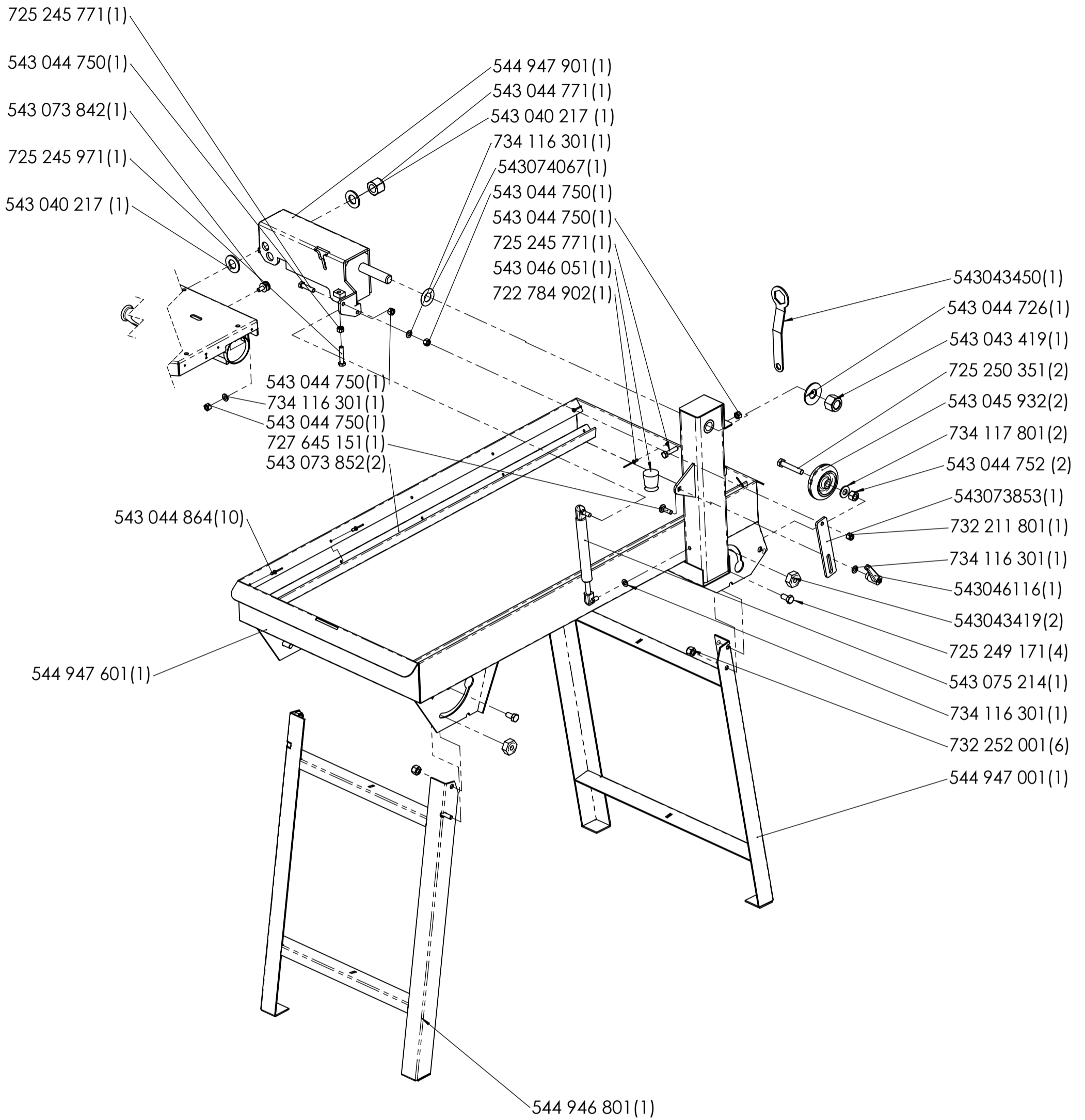
Reservdelar

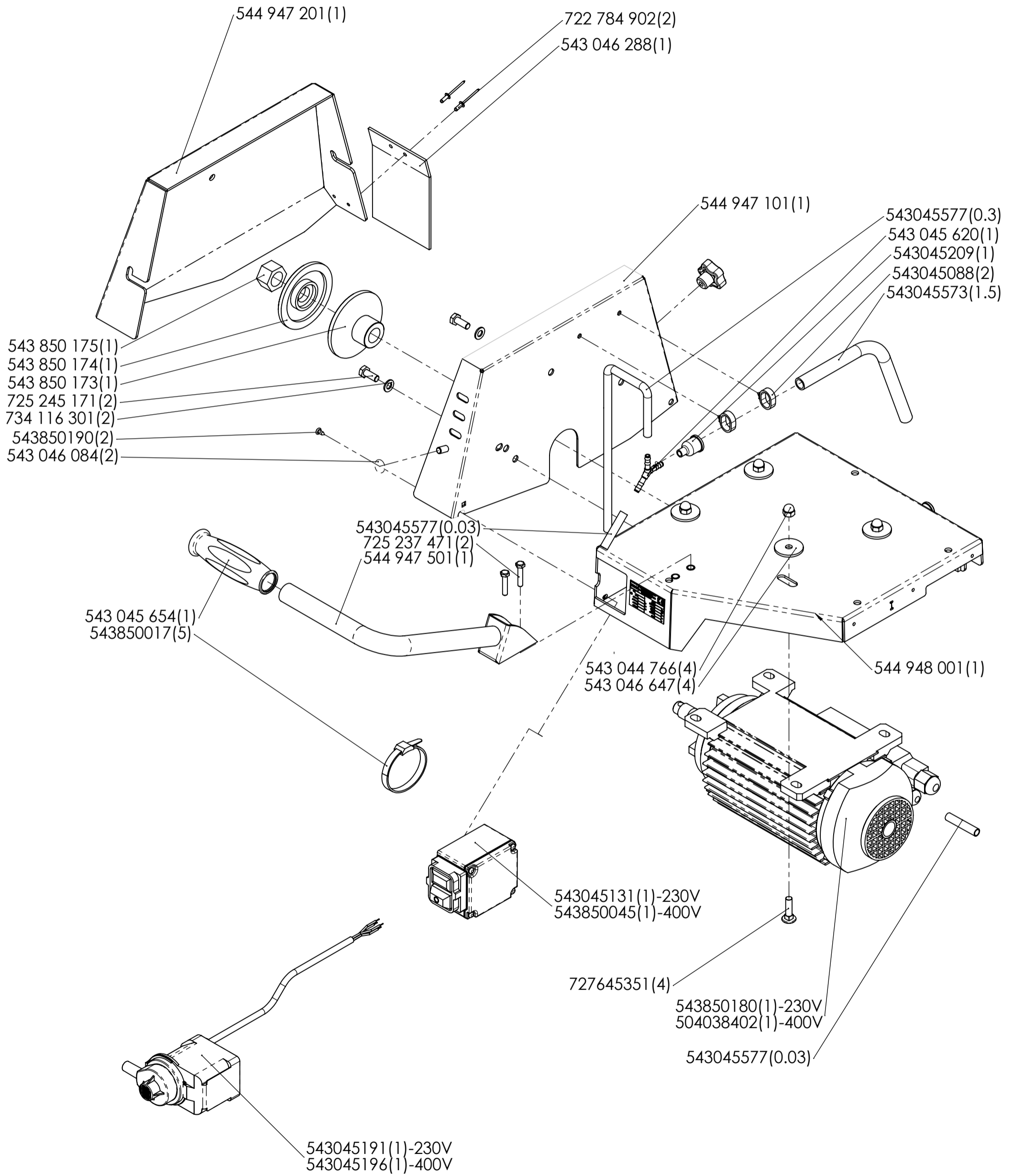
Peças sobresselentes



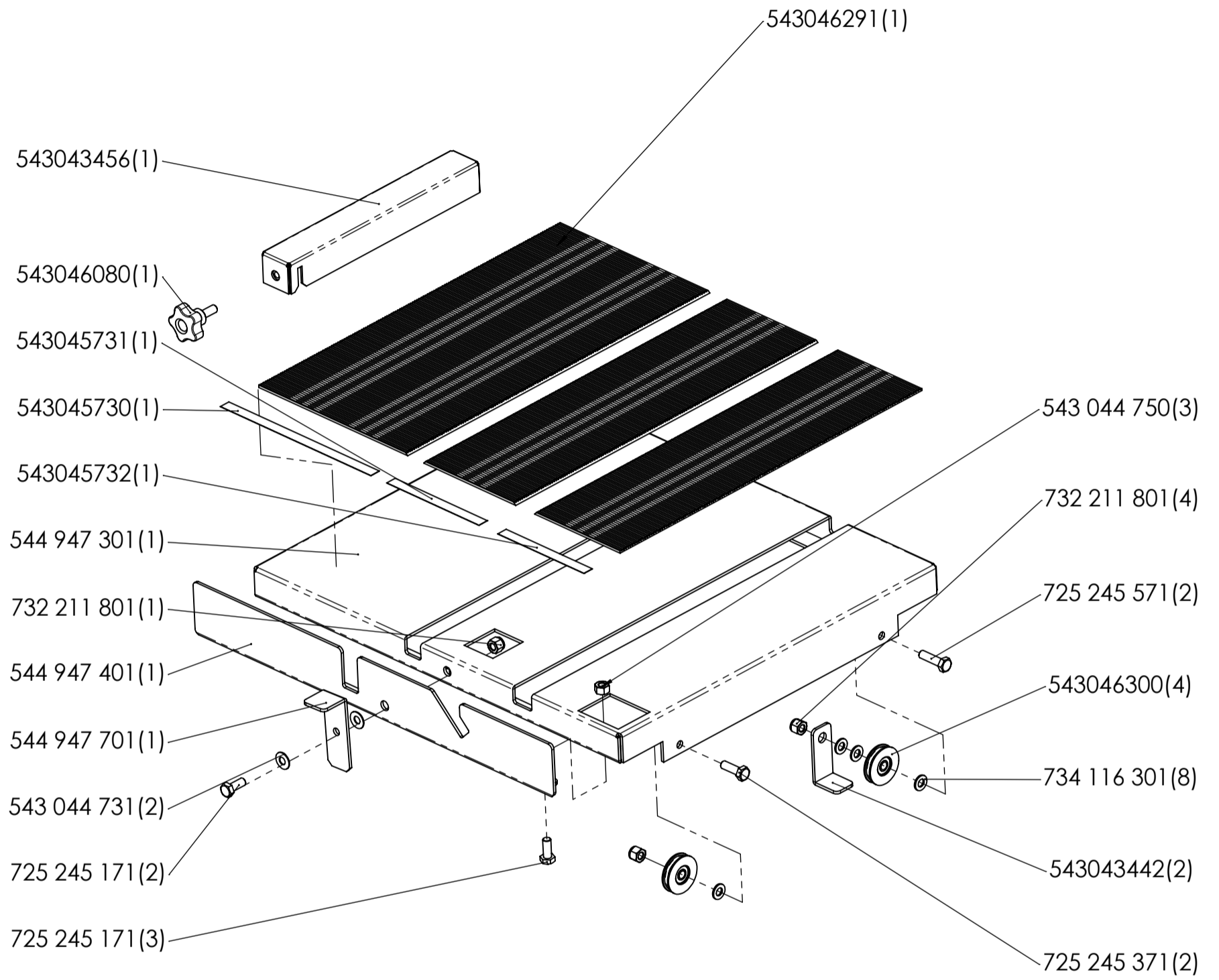
No.	Pos.	Description	No.	Pos.	Description
115030120		IPL, TS300E, 8 languages	544947501	B	Support, shaft
115030220		OM, TS300E, 8 languages	544947601	A	Tank, assy TS300E
504038402	B	Motor 2,9 kW, 400V	544947701	C	Pivoting stop, TS300E
543040217	A	WASHER M20	544947901	A	Arm, TS300E, orange
543043419	A	LEGS NUT	544948001	B	Motor assy, support TS300E
543043442	C	PINNING TABLE	544948201		Label, Product name TS300E
543043450	A	KEY	722784902	B	ALU RIVET 4x12 Large head
543043456	C	CUTTING GUIDE	725237071	B	HEX SCREW M6x20
543044726	A	BRASS WASHER 36x21x3	725237471	B	HEX SCREW M6x30
543044731	C	SPRING WASHER	725244971	A	HEX SCREW M8x16
543044750	A -C	NUT M8	725245171	B-C	HEX SCREW M8x20
543044752	A	NUT M12	725245371	A	HEX SCREW M8x25
543044766	B	BOLD NUT M8	725245571	A	HEX SCREW M8x30
543044771	A	NUT HU 20/150	725245771	A-B	HEX SCREW M8x35
543044864	A	RIVET INXO 4,8 X 9	725245971	A	HEX SCREW M8x40
543045088	B	COLLIER SUPPORT D19	725249171	A	HEX SCREW M10X20
543045131	B	SWITCH KEDU 230V	725250351	A	HEX SCREW M10x60
543045191	B	WATER PUMP 230V DG108	727645151	A	BALL HEAD SCREW 8x20
543045196	B	WATER PUMP 400V DG108	727645351	B	SCREW SPHERE HEAD M8x25
543045209	B	CAP	727645351	B	BALL HEAD SCREW 8x25
543045573	B	WATER PIPE 12x16	732211801	A-C	LOCKNUT M8
543045577	B	Hose 6x9 length 260+60	732252001	A	LOCKNUT M10
543045620	B	RACCOR PP CANNELE Y	732212601	A	LOCKNUT M20 20x150
543045654	B	HANDLE SLEEVE	734116301	A -B-C	WASHER M8
543045730	C	Ruler, left (1 of 3), TS300F	734117801	A	WASHER M12
543045731	C	Ruler, middle (2 of 3), TS300F			
543045732	C	Ruler, right (3 of 3), TS300F			
543045932	A	ROLLER 80/25			
543046051	A	STOPPER PLUG 28 X 31 (BLACK)			
543046080	C	VOLANT			
543046084	B	Nut, wing M8 female			
543046116	A	HANDLE M8			
543046288	B	MUD FLAT			
543046291	C	TABLE PROTECTION			
543046300	C	ROLLER OF TABLE			
543046647	B	WASHER 8.5X35.8X 3			
543073842	A	CENTERING			
543073852	A	RAIL			
543073853	A	HEAD STOP			
543074067	A	Tinsel 40x20.2x0.5			
543075214	A	GAS SPRING			
543850045	B	SWITCH KEDU 400V			
543850117	A	Screw, wing M8x16 male			
543850174	B	Modified flange			
543850175	B	Special nut			
543850180	B	Motor 2,2 kW, 230V			
543850190	B	Screw, ST 4,2x25			
544946801	A	Legs, front TS300E			
544947001	A	Legs, rear TS300E			
544947101	B	Blade guard, fixed TS300E			
544947201	B	Blade guard, cover TS300E			
544947301	A	Table, TS300E			
544947401	A	Material stop, table TS300E			

# A





C







[www.husqvarnacp.com](http://www.husqvarnacp.com)