

PP 325 E

Reservdelar

Spare parts

Ersatzteile

Pieces de rechange

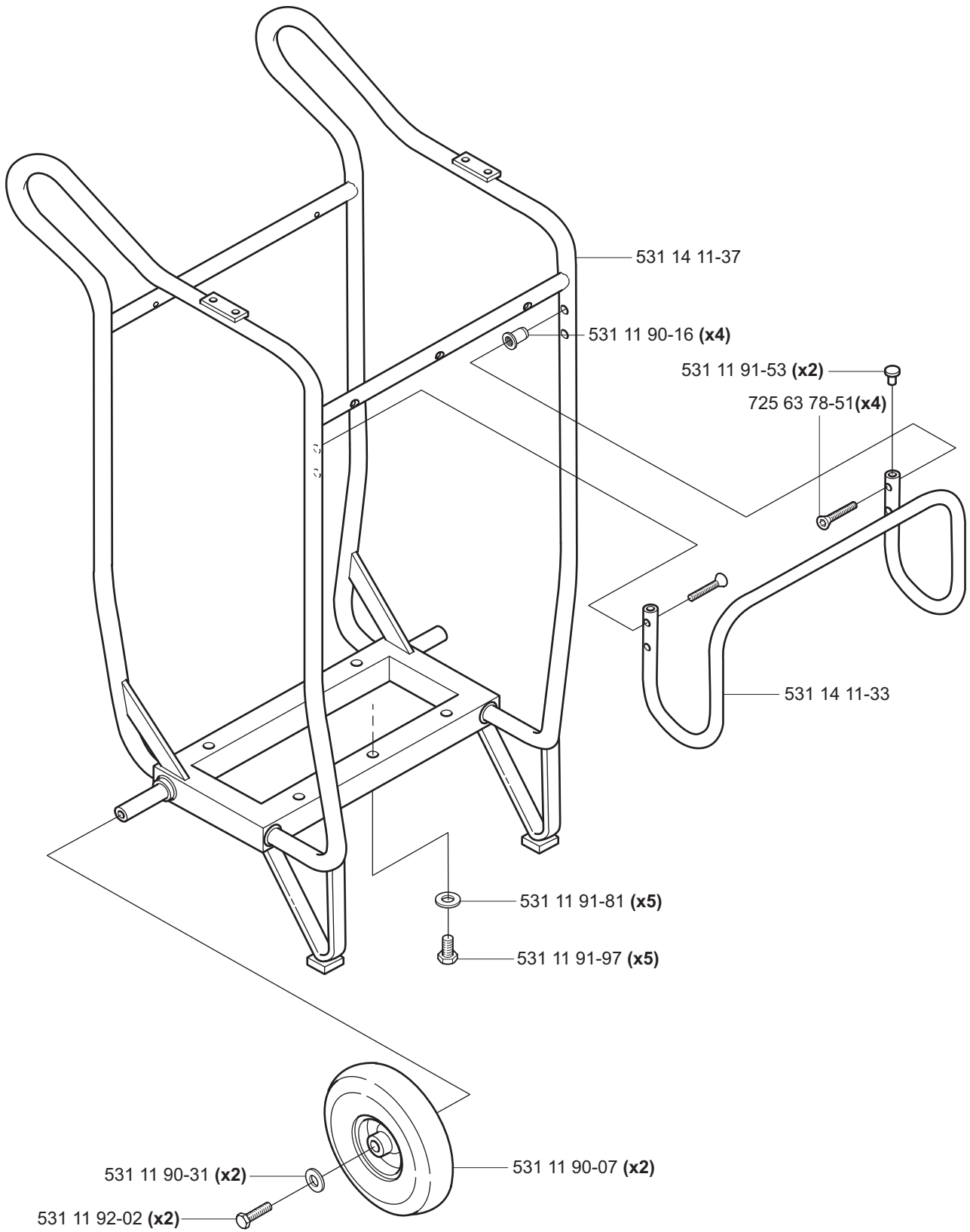
Piezas de repuesto

Ricambi

Peças sobresselente

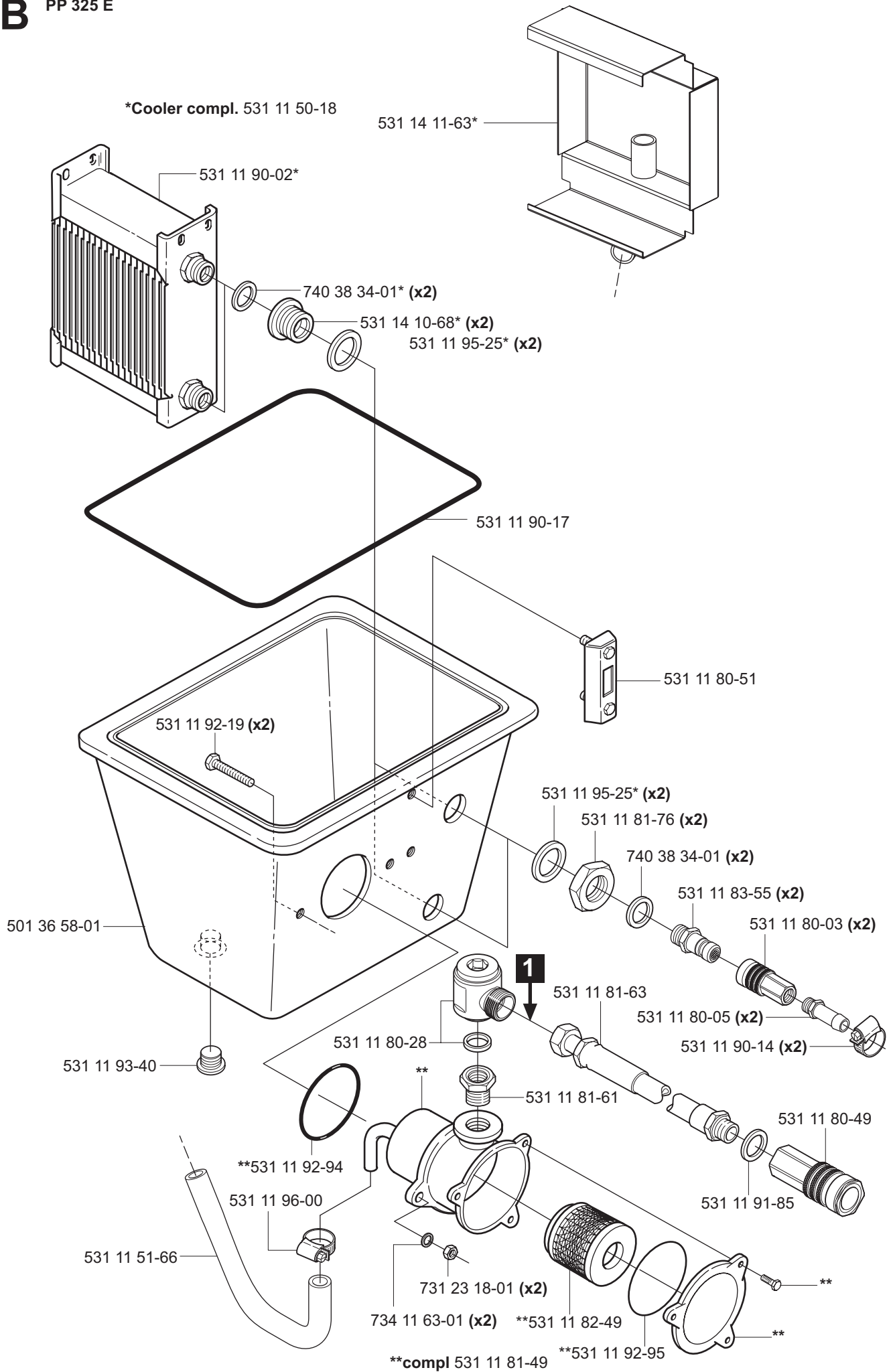
No.	Pos.	Description	No.	Pos.	Description
501 36 56-01	C	Electric motor 9,2 kW 400V	531 11 80-28	B	Coupling
501 36 56-02	C	Electric motor 9,2 kW 230V	531 11 80-30	E	Swivel
501 36 56-03	C	Electric motor 9,2 kW 600V	531 11 80-34	E	Coupling
501 36 56-04	C	Electric motor 9,2 kW 200V	531 11 80-35	C	Coupling
501 36 58-01	B	Tank	531 11 80-49	BE	Quick coupling
501 36 62-01	C	Tank cover	531 11 80-50	CE	Quick coupling
504 00 39-01	E	Type plate	531 11 80-51	B	Level gauge
504 02 99-04	E	Label PP 325 E	531 11 80-56	C	Coupling
504 69 48-02	D1	Motor protection relay	531 11 80-65	C	Coupling
504 69 51-02	D1	Relay holder	531 11 80-70	C	Coupling
505 40 06-01	D1	Electric box complete 400V 5-pin	531 11 80-82	C	Valve
505 40 06-02	D1	Electric box complete 400V 4-pin	531 11 80-91	C	Manometer
505 40 06-04	D1	Electric box complete 480V 4-pin	531 11 80-98	C	Coupling
505 40 09-01	D1	Hour meter	531 11 81-49	B	Filter housing
505 46 10-01	D1	Lamp	531 11 81-61	B	Coupling
505 46 11-01	D1	Emergency shutdown	531 11 81-63	BC	Hydraulic hose
505 46 12-01	D1	Adapter	531 11 81-76	B	Nut
505 46 13-01	D1	Contact	531 11 82-49	B	Filter insert
505 46 14-01	D1	Connection plate	531 11 82-72	E	Hose set without couplings
505 46 15-01	D1	Box	531 11 82-78	C	Pump 2012 (60Hz)
505 46 16-01	D1	Bar	531 11 82-79	C	Pump 2014 (50Hz)
505 46 17-01	D1	Bar	531 11 83-55	B	Quick coupling
505 46 18-01	D1	Screw	531 11 90-02	B	Cooler
505 46 19-01	D1	Distance	531 11 90-07	A	Wheel
505 46 20-01	D1	Distance	531 11 90-08	D1-2-3	Ventilation hose
505 46 21-01	D1	Distance	531 11 90-14	B	Hose clamp
505 46 22-01	D2	Cover	531 11 90-16	A	Pop nut
505 46 23-01	D2	Reinforcing plate	531 11 90-17	B	O-ring 1240x6
505 46 24-01	D2	Lid	531 11 90-18	D3	Spacer
505 46 24-02	D2	Lid	531 11 90-30	D1-3	Filter
505 46 32-01	D2	Contact	531 11 90-31	A	Washer 13x36
505 52 03-01	D1	Emergency stop complete	531 11 91-53	A	Plastic plug
510 24 98-01	D1	Switch	531 11 91-81	AC	Washer 10,5x22
531 11 50-18	B	Cooler compl.	531 11 91-83	C	Washer 13x24x2
531 11 50-66	D3	Electric box compl. 230/400V	531 11 91-85	BCE	Sealing ring 1/2"
531 11 51-11	D3	Electric box compl. 600V US/CAN	531 11 91-86	C	Sealing ring M22
531 11 51-66	B	Return hose	531 11 91-97	A	Screw M6S 10x16
531 11 51-69	C	Shaft coupling	531 11 91-99	C	Screw M6S 10x30
531 11 51-70	E	Hose set compl. with couplings	531 11 92-02	A	Screw M6S 12x25
531 11 51-74	D3	Electric box compl. 200V JAP	531 11 92-07	C	Screw M6S 12x45
531 11 51-84	C	Pressure pipe (50Hz)	531 11 92-10	C	Screw M6S 6x12
531 11 51-86	C	Pressure pipe (60Hz)	531 11 92-19	B	Screw M6S 8x30
531 11 70-08	D3	Switch Y-D 400-600V	531 11 92-24	C	Screw M6SF 8x20
531 11 70-10	D3	Extension socket 200-230V	531 11 92-93	C	O-ring 80x1,6
531 11 70-23	D3	Contact 230V	531 11 92-94	B	O-ring 90x5,3
531 11 70-36	D3	Din rail	531 11 92-95	B	O-ring 98,02x3,53
531 11 70-68	D3	Contact 230/400V	531 11 93-40	BC	Plug
531 11 70-73	D3	Relay holder	531 11 93-85	D1	Distance
531 11 70-74	D3	Over current relay	531 11 95-25	B	Sealing ring 3/4"
531 11 71-38	D3	Switch Y-D 200-230V	531 11 96-00	B	Hose clamp
531 11 71-48	D3	Electric inlet 16A 400V	531 14 10-68	B	Bulkhead coupling
531 11 71-50	D3	Electric inlet 32A 200-230V	531 14 10-99	D1-3	Phase indicator
531 11 71-55	D2	Plug connection 220V	531 14 11-33	A	Hose holder
531 11 71-84	D3	Contact 200V	531 14 11-37	A	Carriage
531 11 71-86	D3	Indicator lamp	531 14 11-59	C	Valve plate
531 11 71-87	D3	Lamp lens	531 14 11-63	B	Cooler flange
531 11 71-99	D3	Extension socket 400-440V	531 14 11-67	C	Nipple
531 11 72-05	D3	Contact breaker	531 14 11-68	D1-3	Ventilation nipple
531 11 72-08	D1	Personal safety guard	531 14 11-71	D3	Electric inlet mounting
531 11 72-16	D1	Softstart 400V	531 14 11-79	C	Base sealing
531 11 72-34	D3	Contact 600V	531 14 11-85	E	Electric plate EUR 400V
531 11 72-35	D1-3	Contact 400-440V	531 14 11-86	E	Electric plate NOR 230V
531 11 72-36	D3	Electric inlet 16A 600V	531 14 12-00	D3	Cover cpl
531 11 72-37	D3	Extension socket 600V	531 14 12-05	E	Sign flash
531 11 72-38	D3	Fuse holder 600V	531 14 12-06	C	Decal rotation
531 11 72-39	D3	Fuse 10A 600V	531 14 12-11	E	Plate drain cooler
531 11 73-42	D1	Softstart 480V	531 14 12-20	E	Electric plate JAP 200V 50Hz
531 11 73-68	D3	Emergency shutdown	531 14 12-21	E	Electric plate JAP 200V 60Hz
531 11 80-03	BE	Quick coupling	723 12 20-01	D3	Screw MCS 3x6
531 11 80-05	B	Hose coupling	723 12 24-01	D2	Screw MCS 3x10

No.	Pos.	Description	No.	Pos.	Description
723 12 93-01	D3	Screw MCS 4x16			
723 13 25-01	D3	Screw MCS 5x10			
723 13 29-01	D2-3	Screw MCS 5x16			
723 13 31-01	D3	Screw MCS 5x20			
723 52 22-01	D1-3	Screw MFS 3x8			
723 52 92-01	D2	Screw MFS 4x14			
723 53 25-01	D3	Screw MFS 5x10			
723 53 29-01	D1	Screw MFS 5x16			
725 23 80-51	C	Screw M6S 6x50			
725 53 23-01	D1	Screw MC6S 5x8			
725 62 89-01	D1	Screw MF6S 4x10			
725 63 78-51	A	Screw MF6S 6x40			
731 23 10-01	D1	Nut M3			
731 23 12-01	D2	Nut M4			
731 23 14-01	D2-3	Nut M5			
731 23 18-01	B	Nut M8			
731 23 20-01	C	Nut M10			
731 23 22-01	C	Nut M12			
734 11 35-71	D2	Washer 4,3x8			
734 11 46-01	D3	Washer 5,3x10			
734 11 52-01	C	Washer 6,4x12			
734 11 63-01	B	Washer 8,4x16			
740 38 08-01	C	Sealing ring M6			
740 38 18-01	C	Sealing ring 1/8"			
740 38 34-01	BE	Sealing ring 3/8"			
740 43 14-00	C	O-ring 16,3x2,4			



**B**

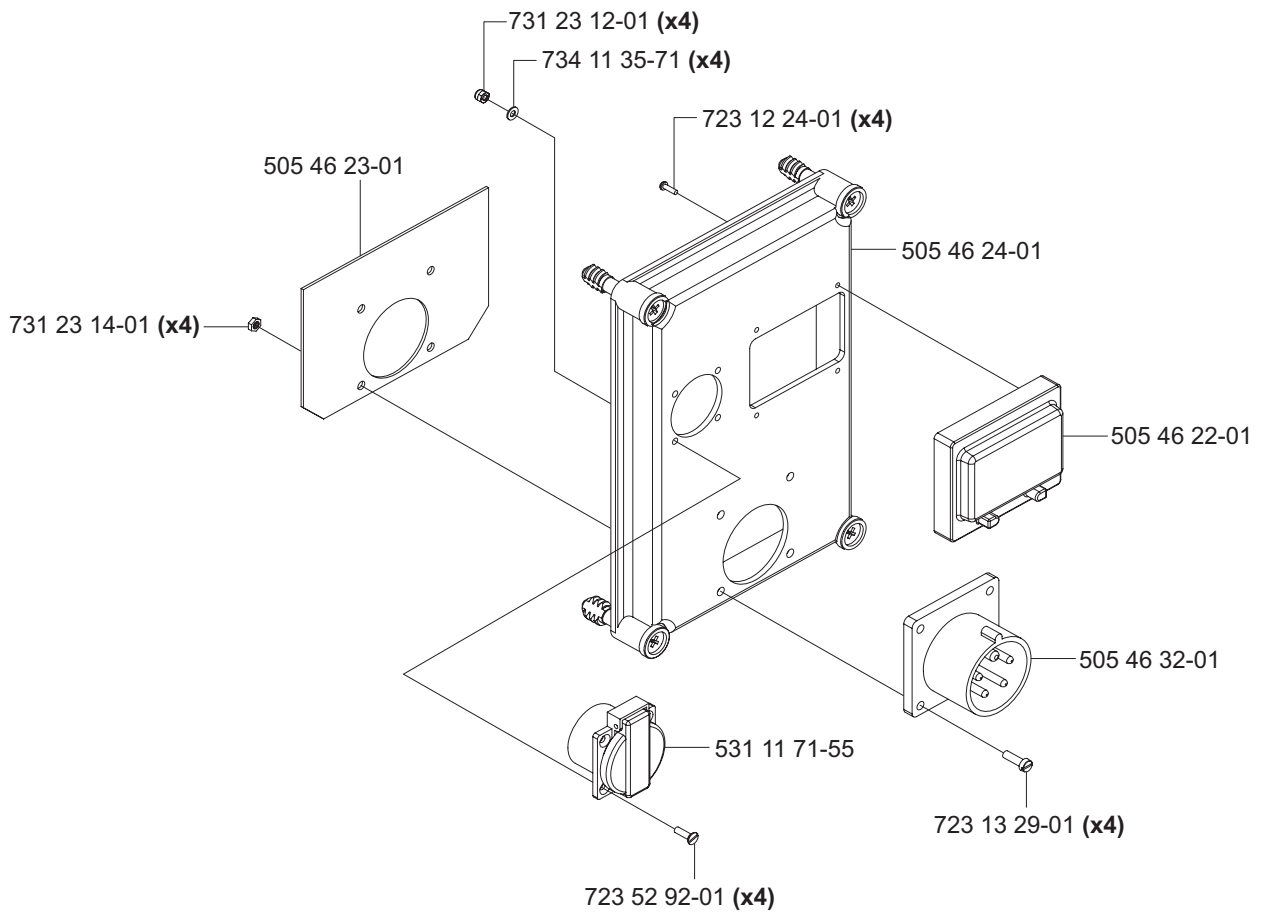
PP 325 E



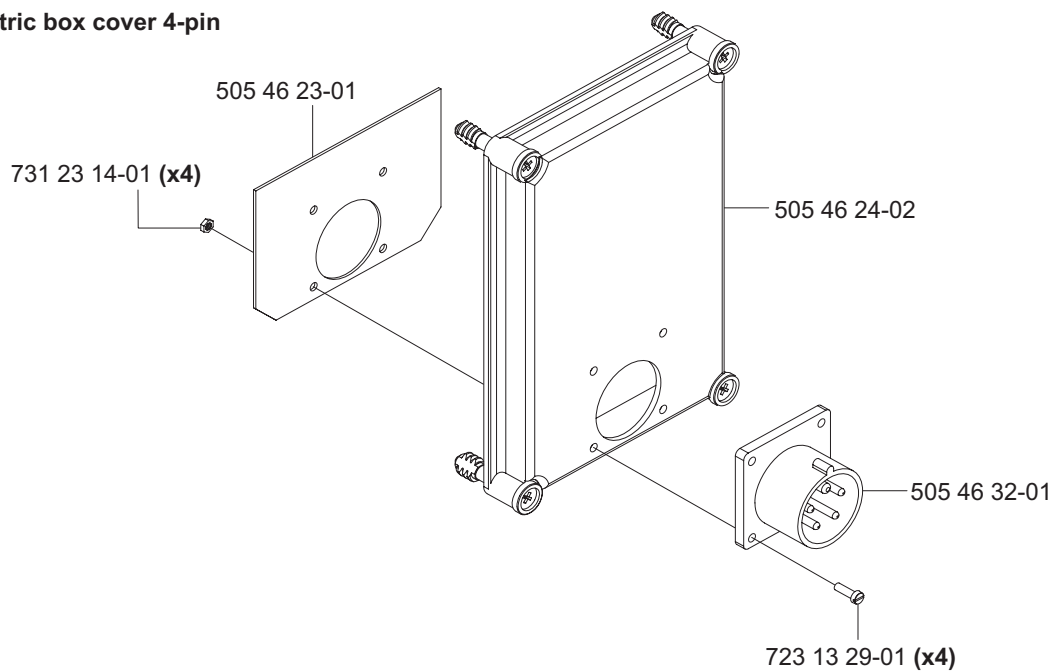




**D2** PP 325 E  
Electric box cover 5-pin



**Electric box cover 4-pin**

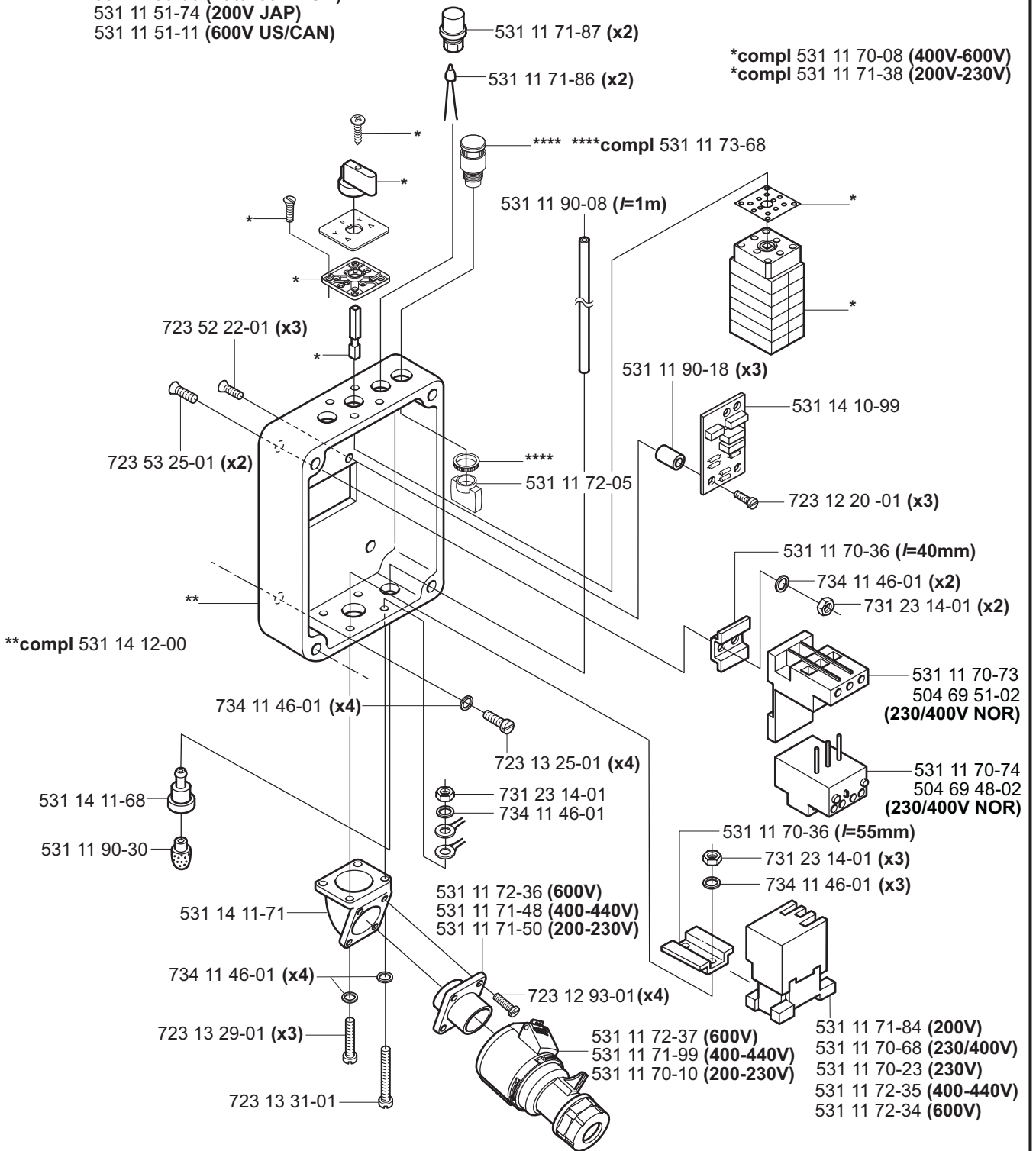




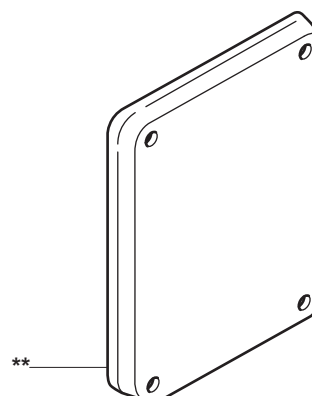
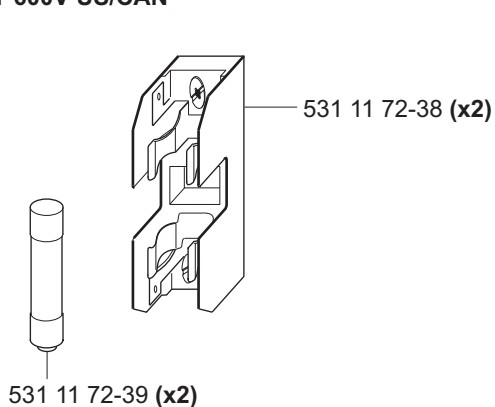
# D3 PP 325 E

531 11 50-66 (230/400V NOR)  
 531 11 51-74 (200V JAP)  
 531 11 51-11 (600V US/CAN)

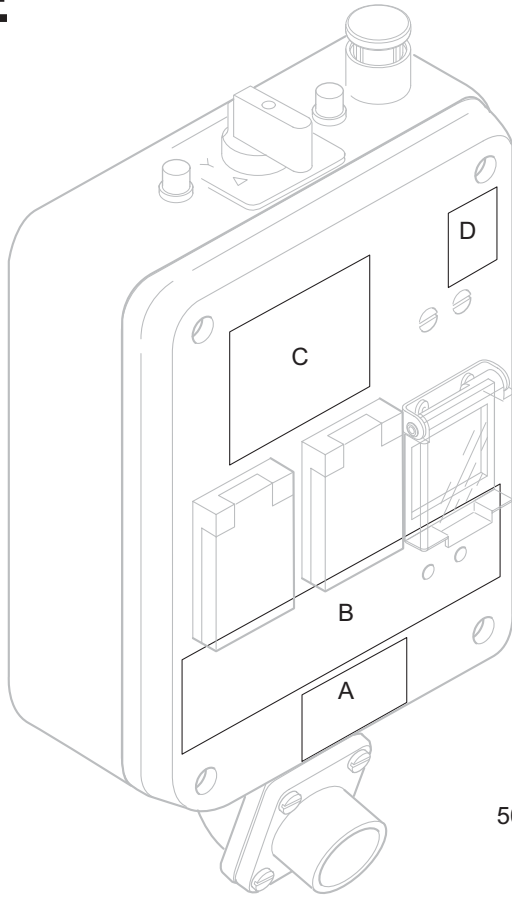
\*compl 531 11 70-08 (400V-600V)  
 \*compl 531 11 71-38 (200V-230V)



## ONLY 600V US/CAN

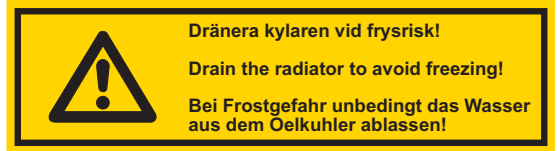


**E** PP 325 E



531 14 12-05

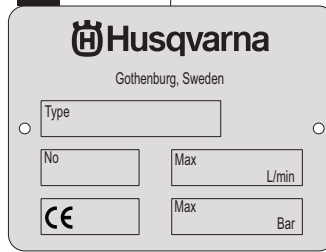
**B**



531 14 12-11

**C**

504 00 39-01



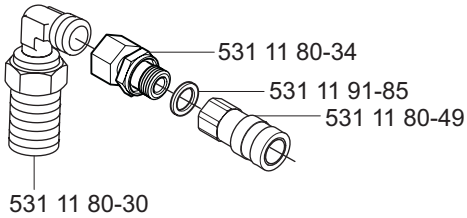
**A**

**3 x 380-420V  
 16A 50Hz**

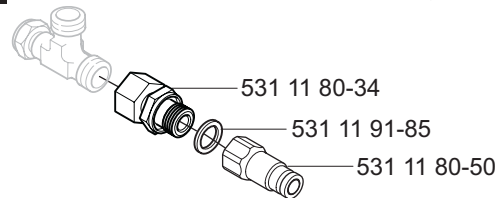
531 14 11-85 (STD)  
 531 14 11-86 (N)  
 531 14 12-20 (JAP 50Hz)  
 531 14 12-21 (JAP 60Hz)



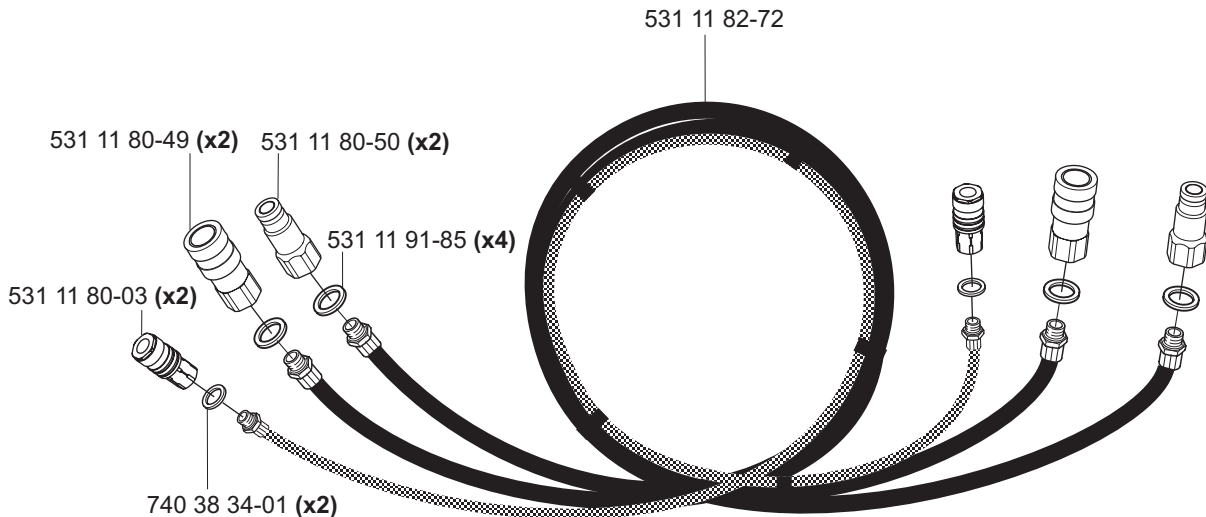
**1** Only US/CAN/JAP



**2** Only US/CAN/JAP



Only US/CAN/JAP



Hose set complete 531 11 51-70